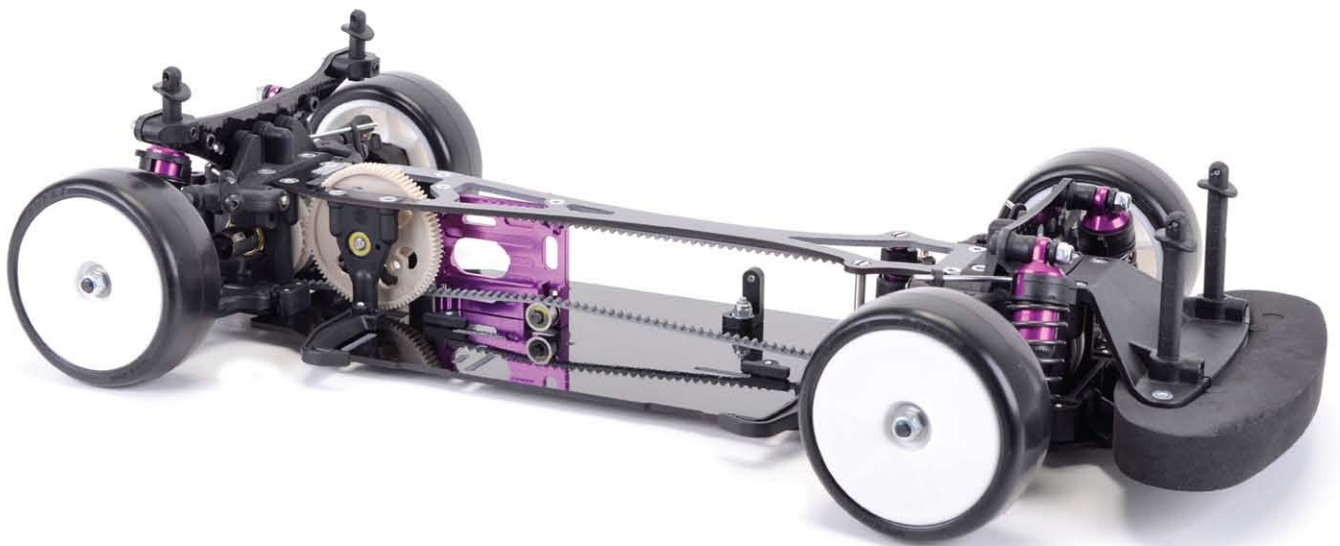




# Instruction Manual



71-73 Tenter Road  
Moulton Park  
Northampton  
NN3 6AX  
U.K.

## Additional Items Required

### Transmitter and receiver

CR151 CODE 2.4G 2 Stick 3Ch Tx+Rx  
CR152 CODE 2.4G 2 Stick 3Ch Receiver ONLY



(Batteries not included)

### Electronic Speed Controller

### Servo



G796 Male Connector Plugs (pk 2)

SPW1403 High Current 14AWG Wire

### Li-Po Battery



### Motor

### Pinion Gear



### Battery Charger



CR161 UAC50 Charger 12v/110-240v 6A

### Bodyshell



Wheels, tyres and glue

Paint



H1057 Loctite Precision Super Glue - 5g  
MR-SUPER GLUE Perfect for Rubber Tyres  
C4450 CS Superglue 20g  
CR522 CORE RC - 522 Pro Tyre Glue



CR044 Curved Body Scissors



U2818 Schumacher Body Reamer



Long nose Pliers



U2789 Hex Driver - 1.5mm  
U2790 Hex Driver - 2.0mm  
U2791 Hex Driver - 2.5mm  
U2794 Schumacher Driver - T10 TORX



U2795 M3 Nut Driver  
U2796 M4 Nut Driver

Soldering Iron  
CR266 40w  
CR275 80w



U3107 - Solder



Schumacher Racing stocks and distributes the following manufacturers products and full product listings are available on our website at [www.racing-cars.com](http://www.racing-cars.com)

PLEASE NOTE THAT SOME OF THE PRODUCT RANGES BELOW ARE ONLY AVAILABLE IN THE UNITED KINGDOM.



## IMPORTANT SAFETY NOTES

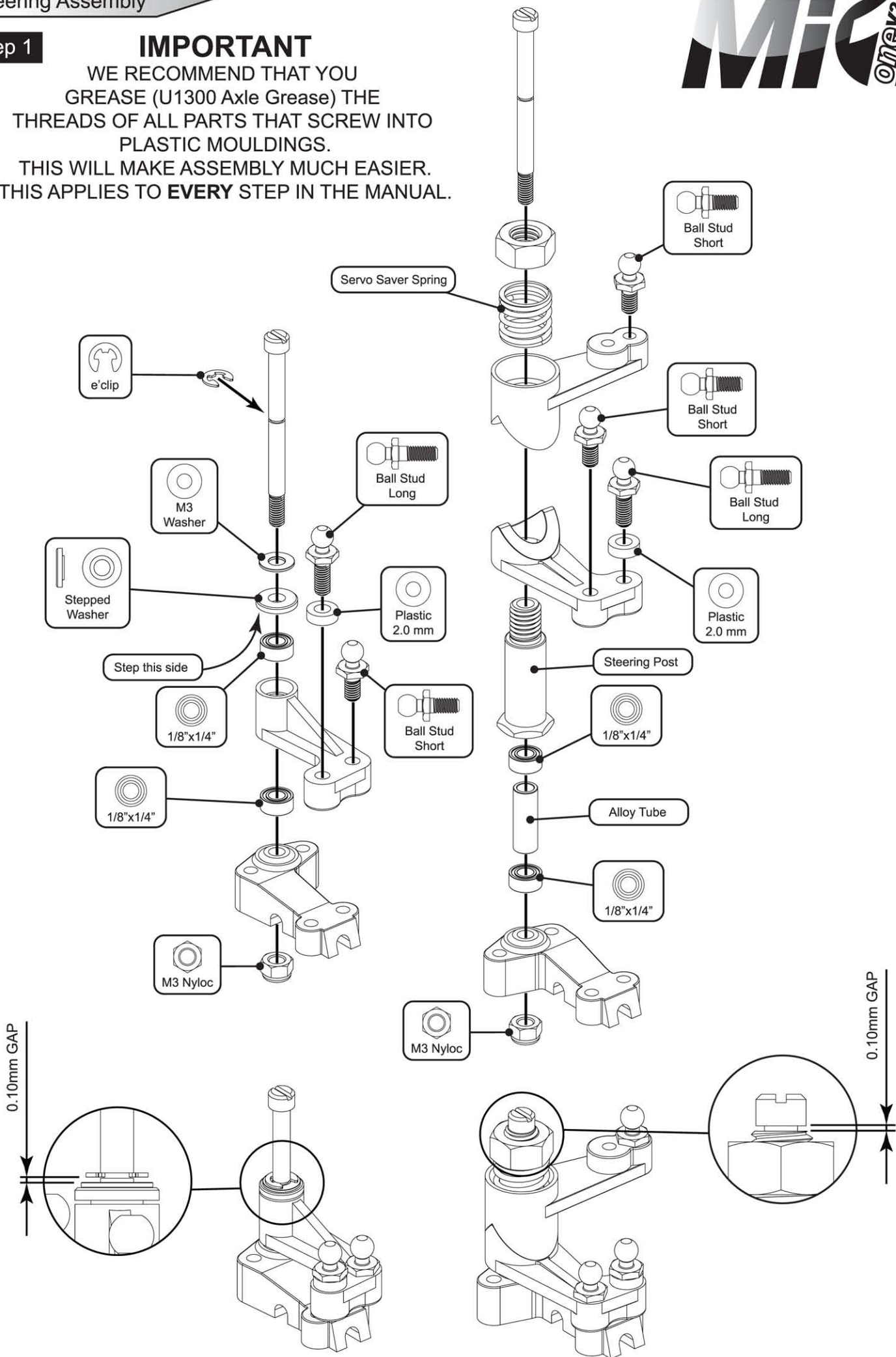
- This product is not suitable for children under the age of 14, without the direct supervision of a responsible adult.
- Select an area for assembly that is away from the reach of small children.
- The parts in this kit are small and can be swallowed by children causing choking and possible internal injuries.
- Exercise care when using hand tools and sharp instruments during assembly.
- Carefully read all manufacturers warnings and cautions for any additional items used in the construction.
- In line with our policy of continuous development the exact details of the kit may vary.
- DO NOT use this car on public roads or in places where it can interfere with traffic, people or animals.
- Always check the operation of the radio with the wheels off the ground, before using the car.
- Make sure the radio and car batteries are fully charged before use.
- Disconnect and remove the battery from the car when not in use.
- Always store and charge LiPo batteries in a fireproof container.
- DO NOT put fingers or any objects inside rotating or moving parts as this may cause injury.
- Make sure the charger is correctly set for the type of battery you are using. Incorrect charging may cause a fire.
- Insulate all exposed electrical wiring. Exposed or damaged wires can cause short circuits and fire.
- The motor and speed controller can become hot during use. DO NOT touch them immediately after using your car as this may cause injury.



Step 1

**IMPORTANT**

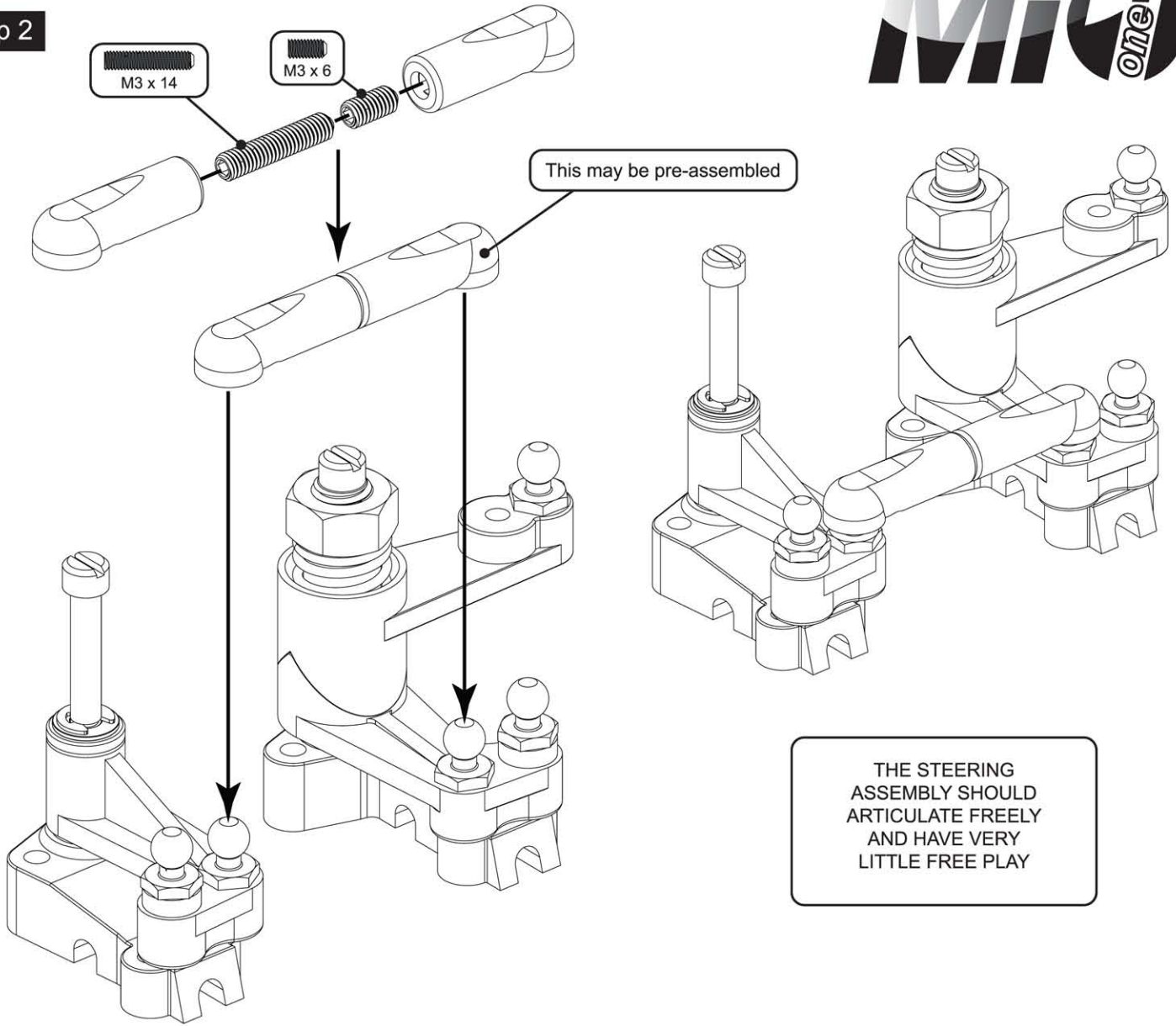
WE RECOMMEND THAT YOU GREASE (U1300 Axle Grease) THE THREADS OF ALL PARTS THAT SCREW INTO PLASTIC MOULDINGS. THIS WILL MAKE ASSEMBLY MUCH EASIER. THIS APPLIES TO **EVERY** STEP IN THE MANUAL.



# Steering Assembly

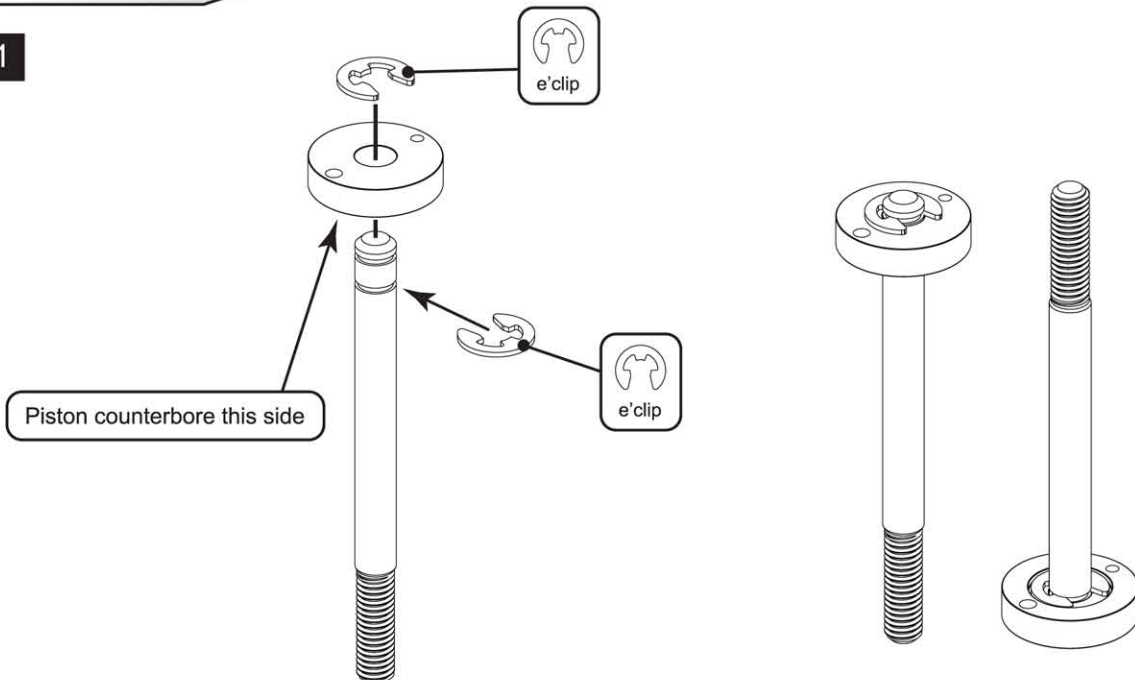


## Step 2



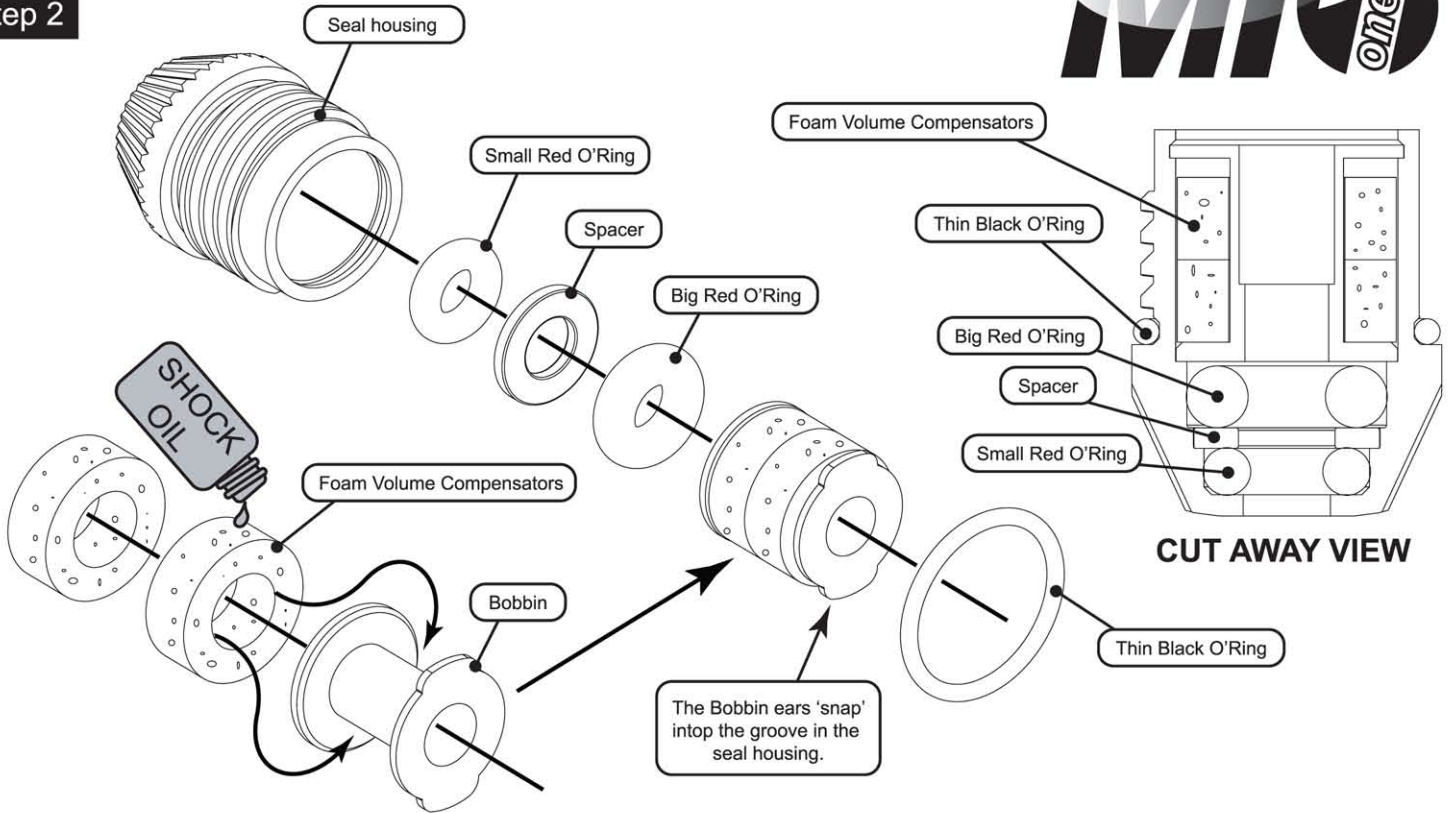
# Shock Absorbers

## Step 1



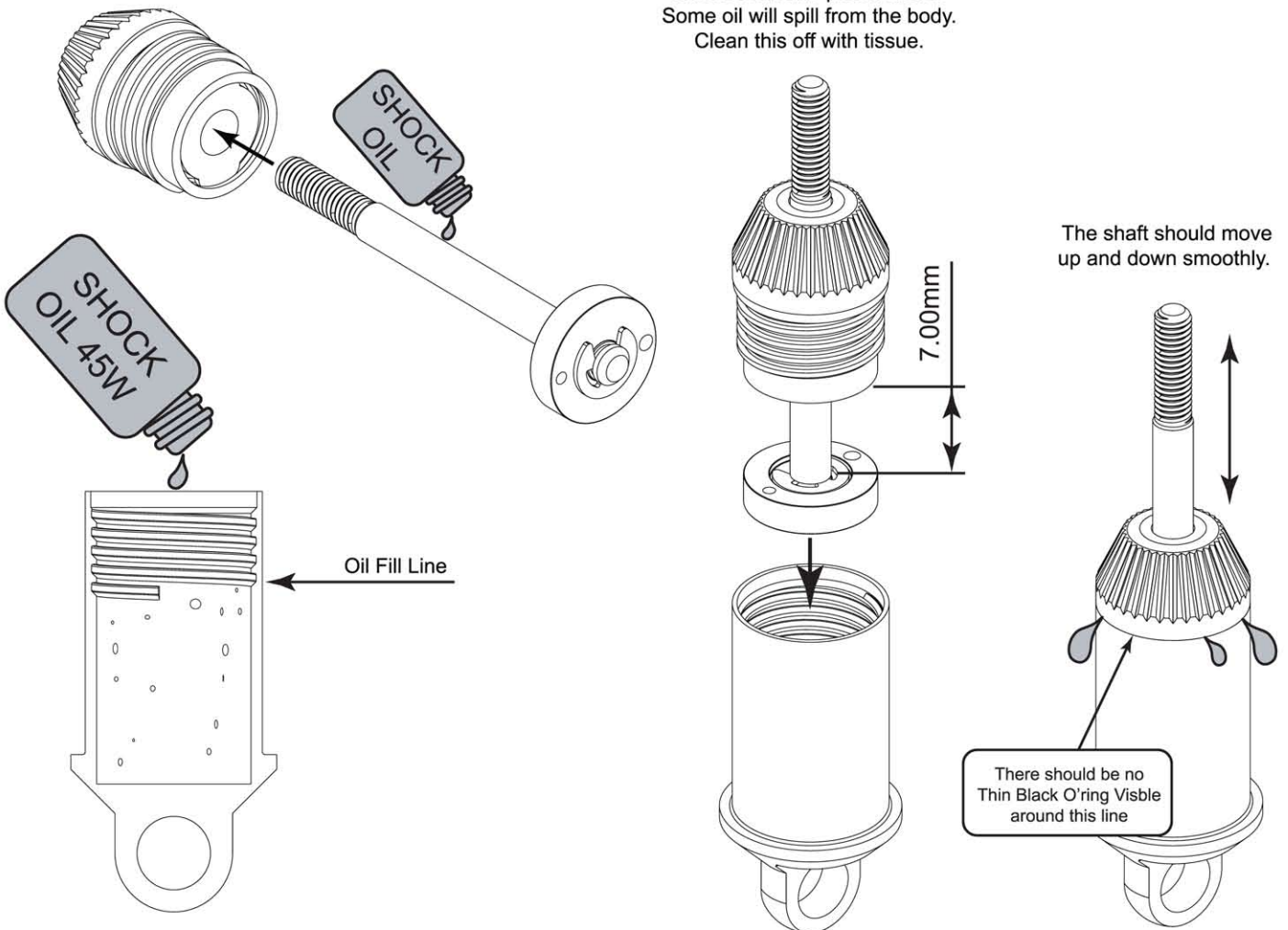


Step 2



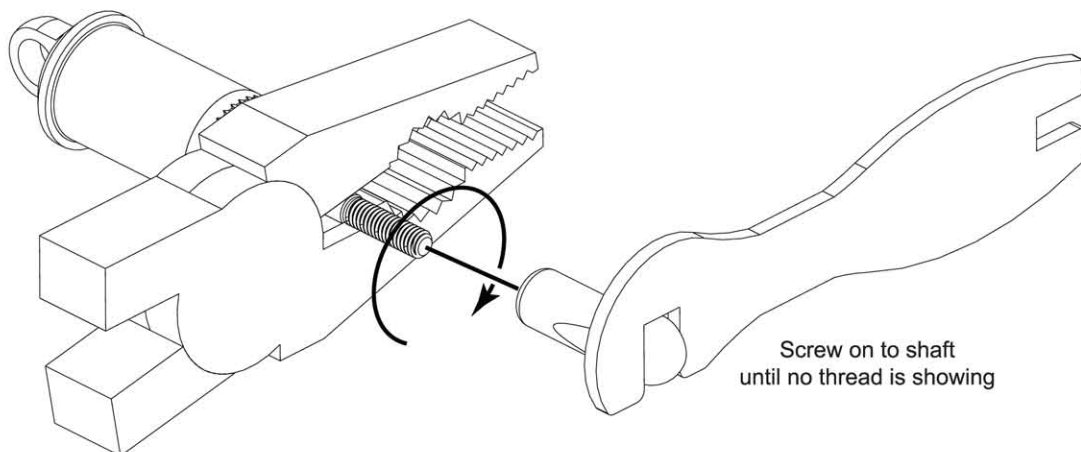
Step 3

Position assembly as shown and carefully screw into the shock body, without letting the shock shaft and piston move. Some oil will spill from the body. Clean this off with tissue.

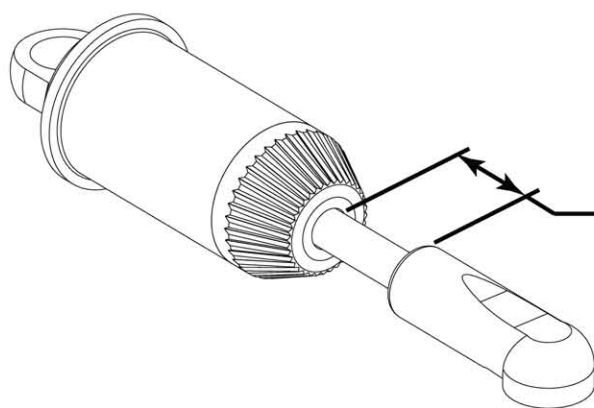


Step 4

Grip the piston rod very close to the thread.  
**BE CAREFUL NOT TO DAMAGE THE POLISHED SHOCK ROD.**

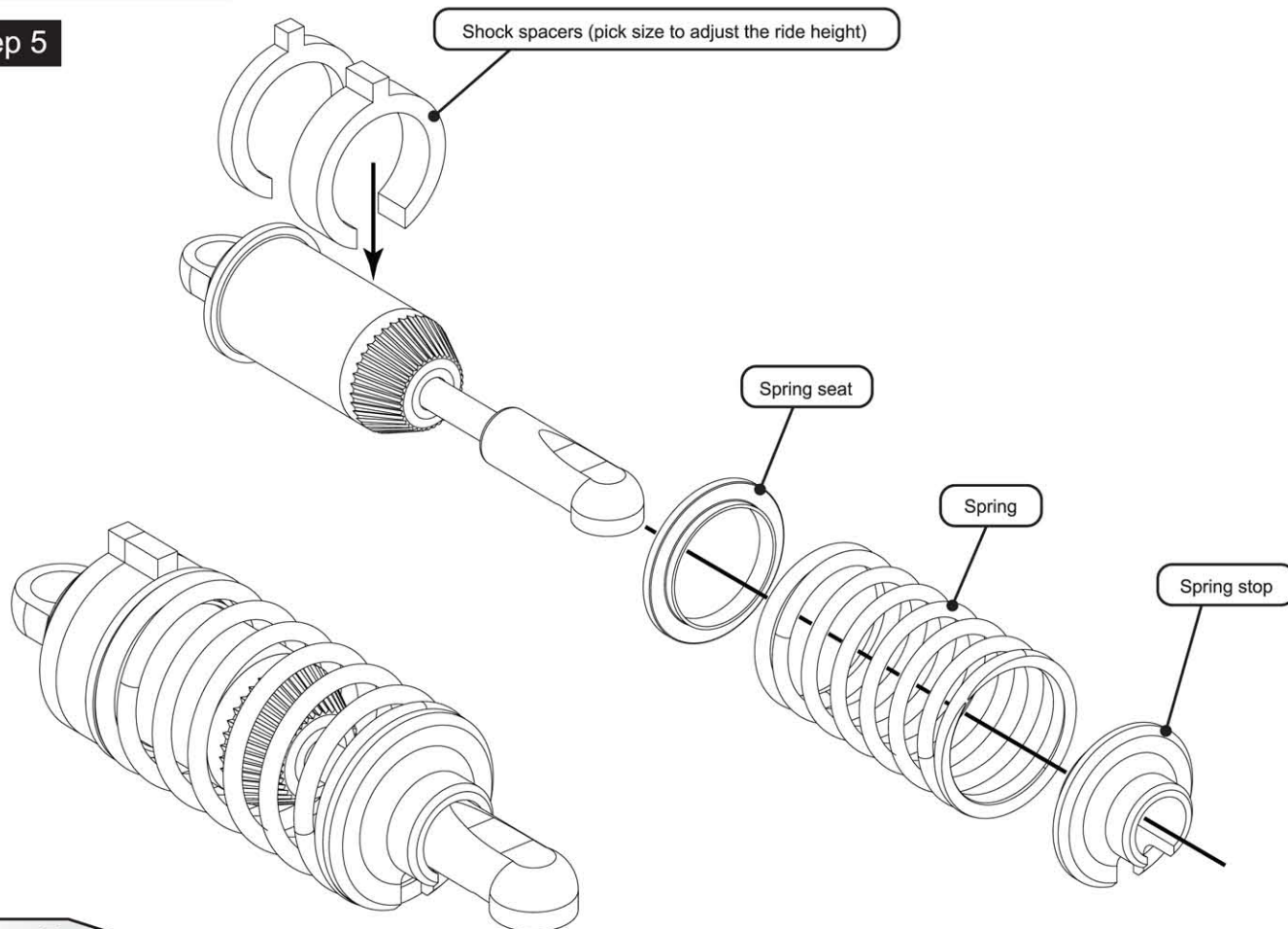


Screw on to shaft  
until no thread is showing



10.20mm  
(Make sure all four shocks are the same)

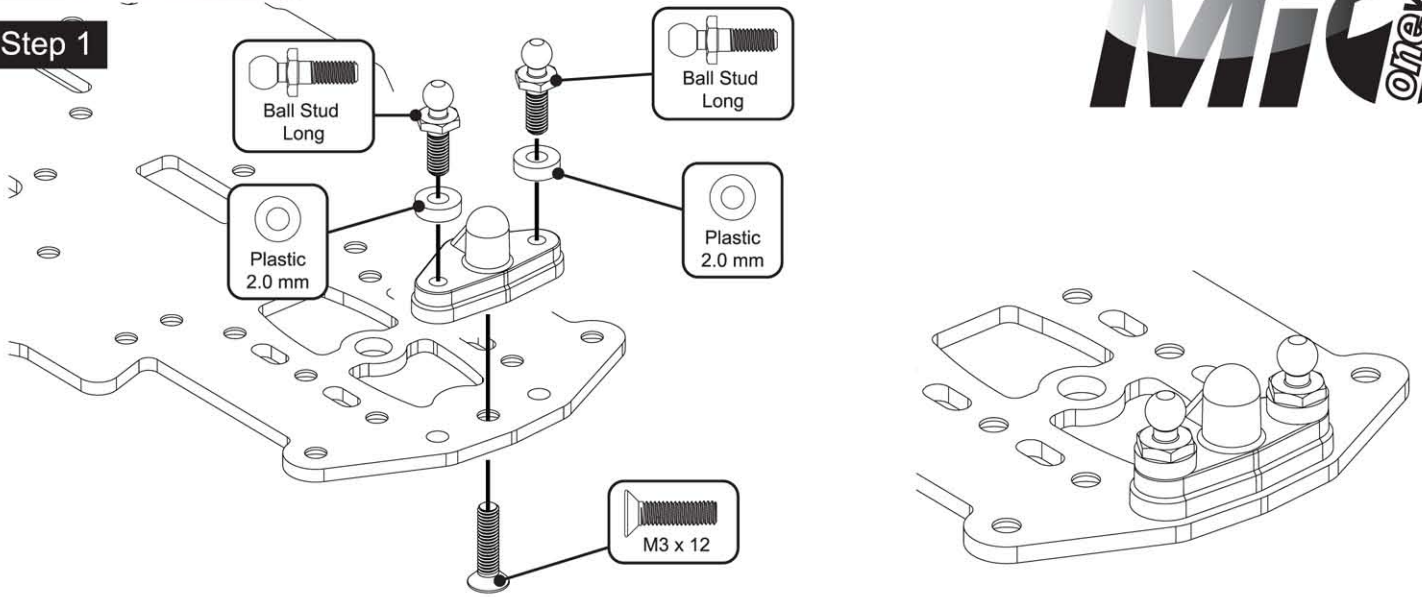
Step 5



# BAG 1 Assembly

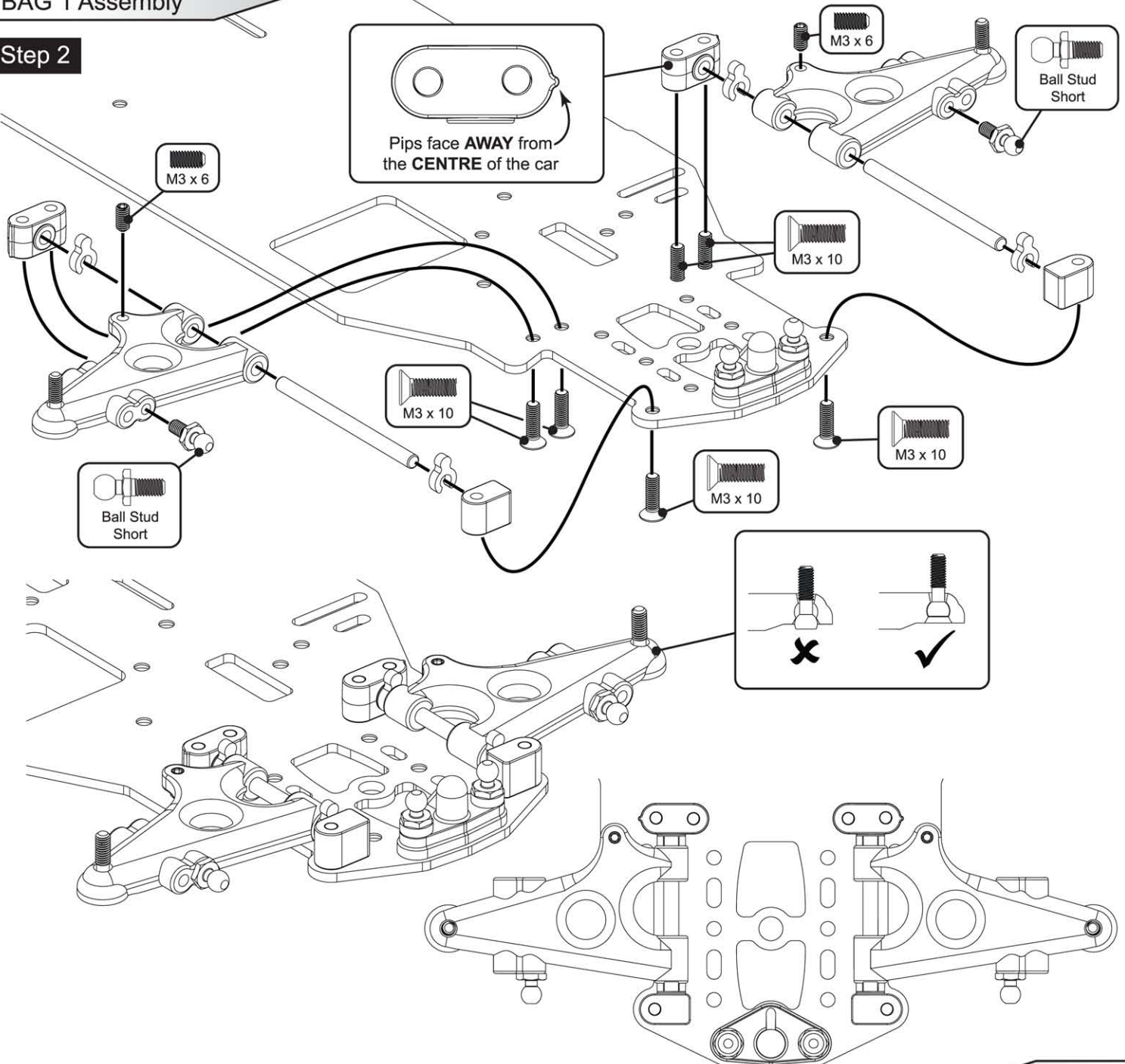


## Step 1



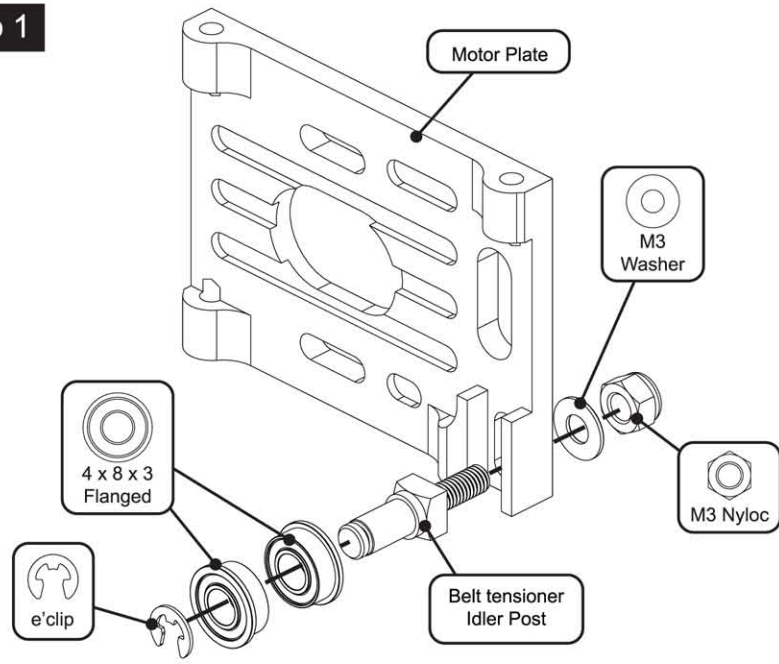
# BAG 1 Assembly

## Step 2

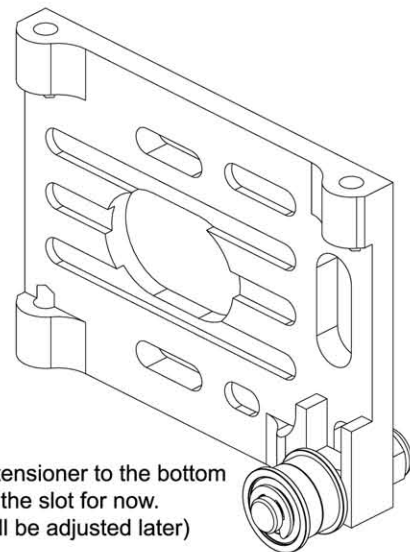




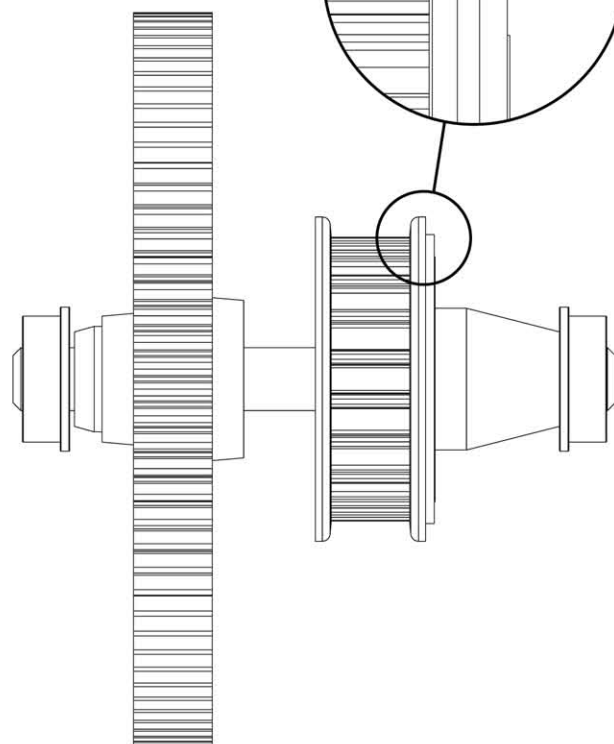
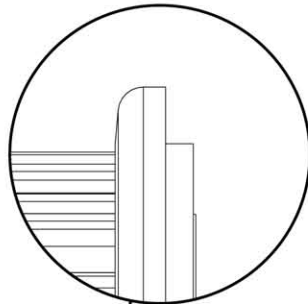
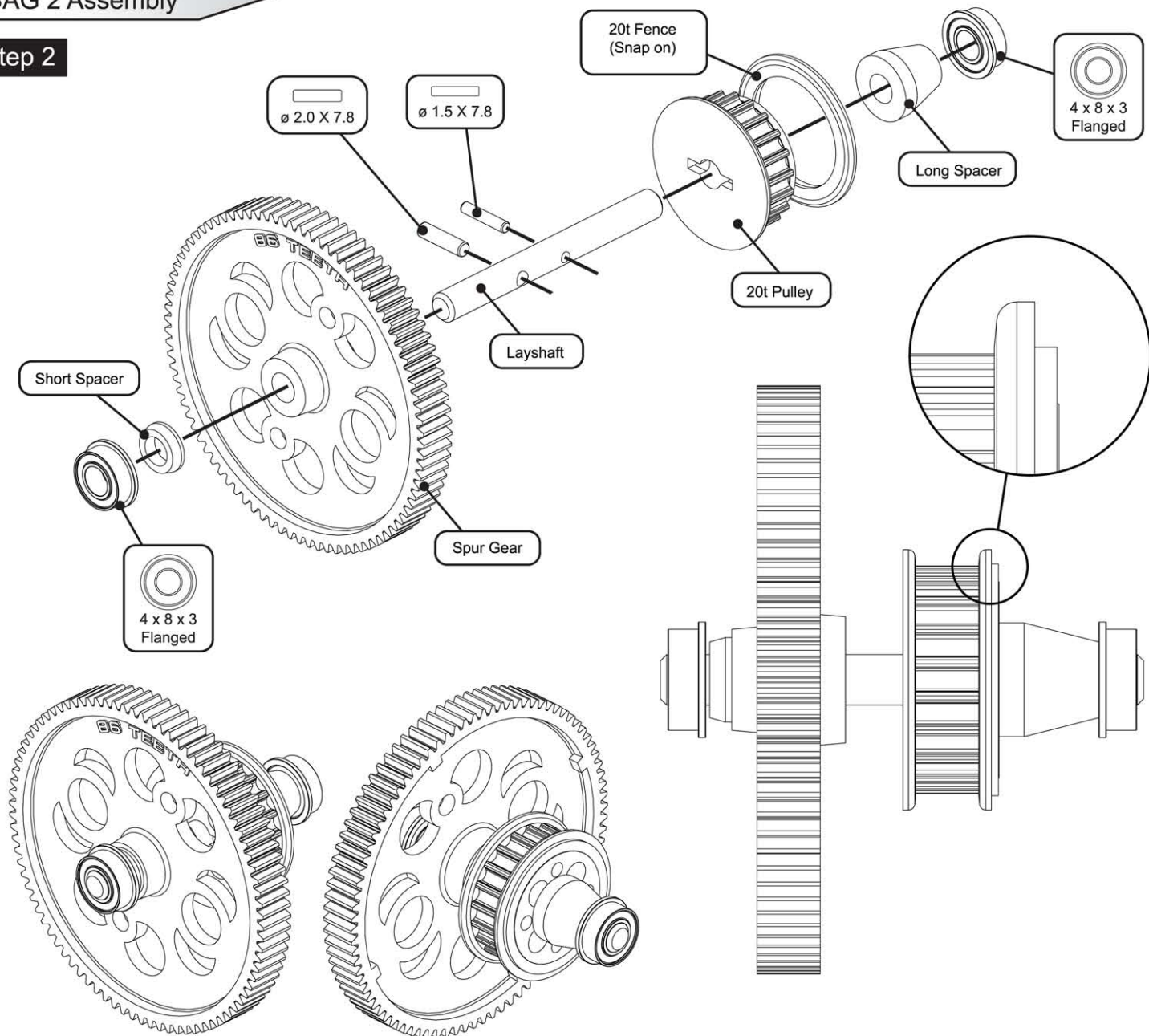
Step 1



Set Belt tensioner to the bottom of the slot for now. (it will be adjusted later)



Step 2

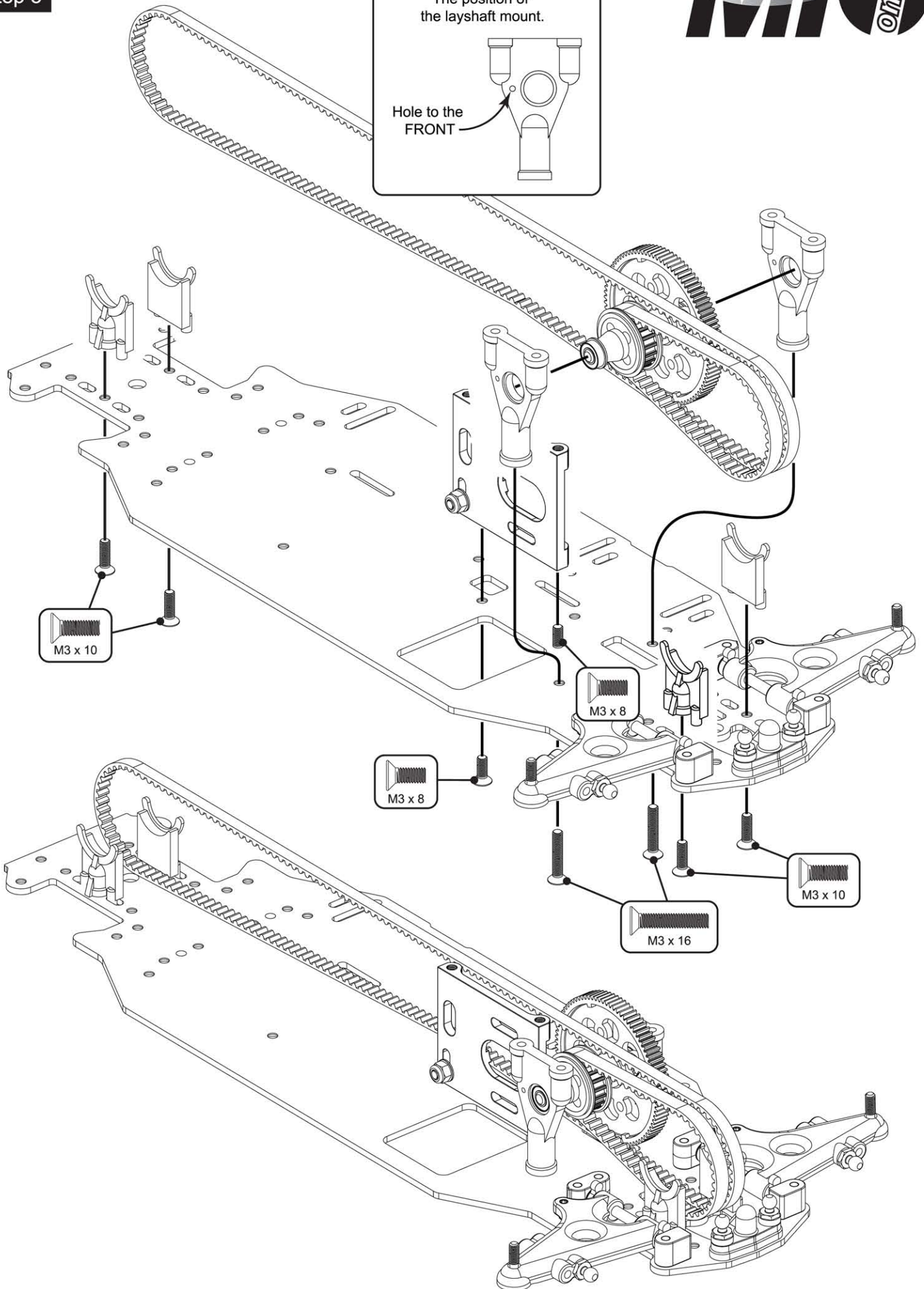




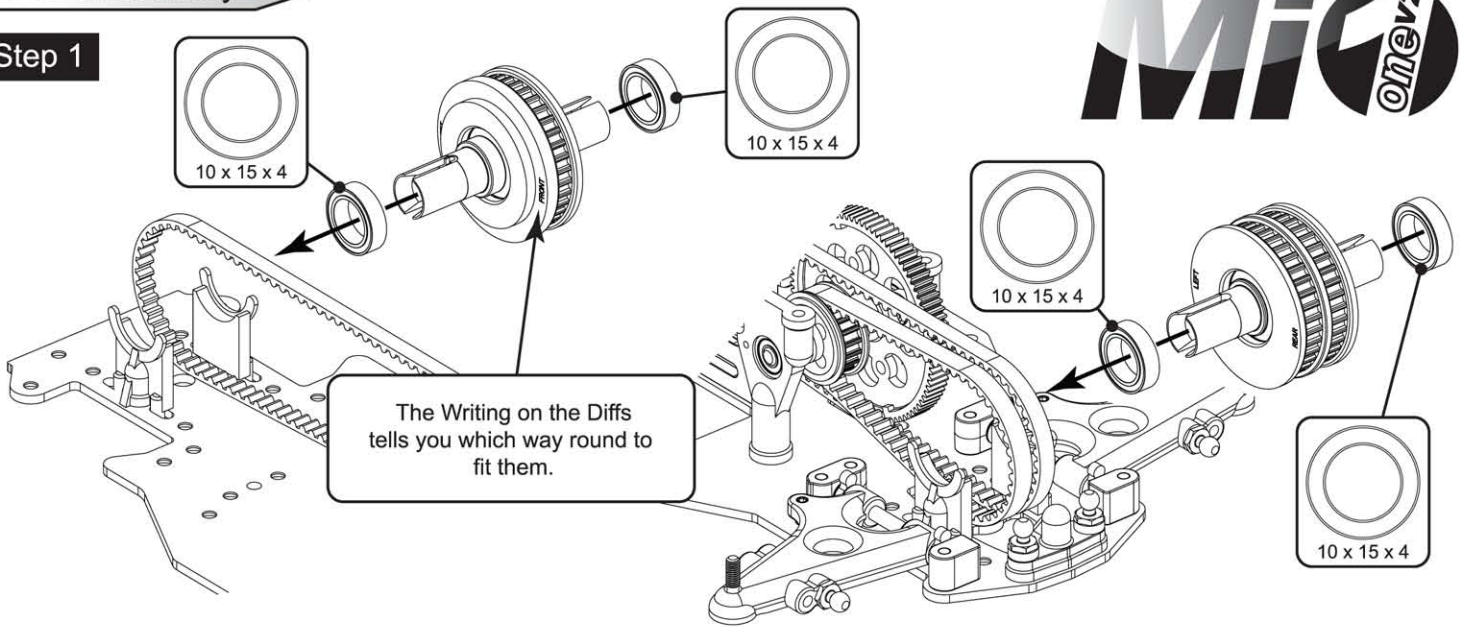
Step 3

NOTE:  
The position of  
the layshaft mount.

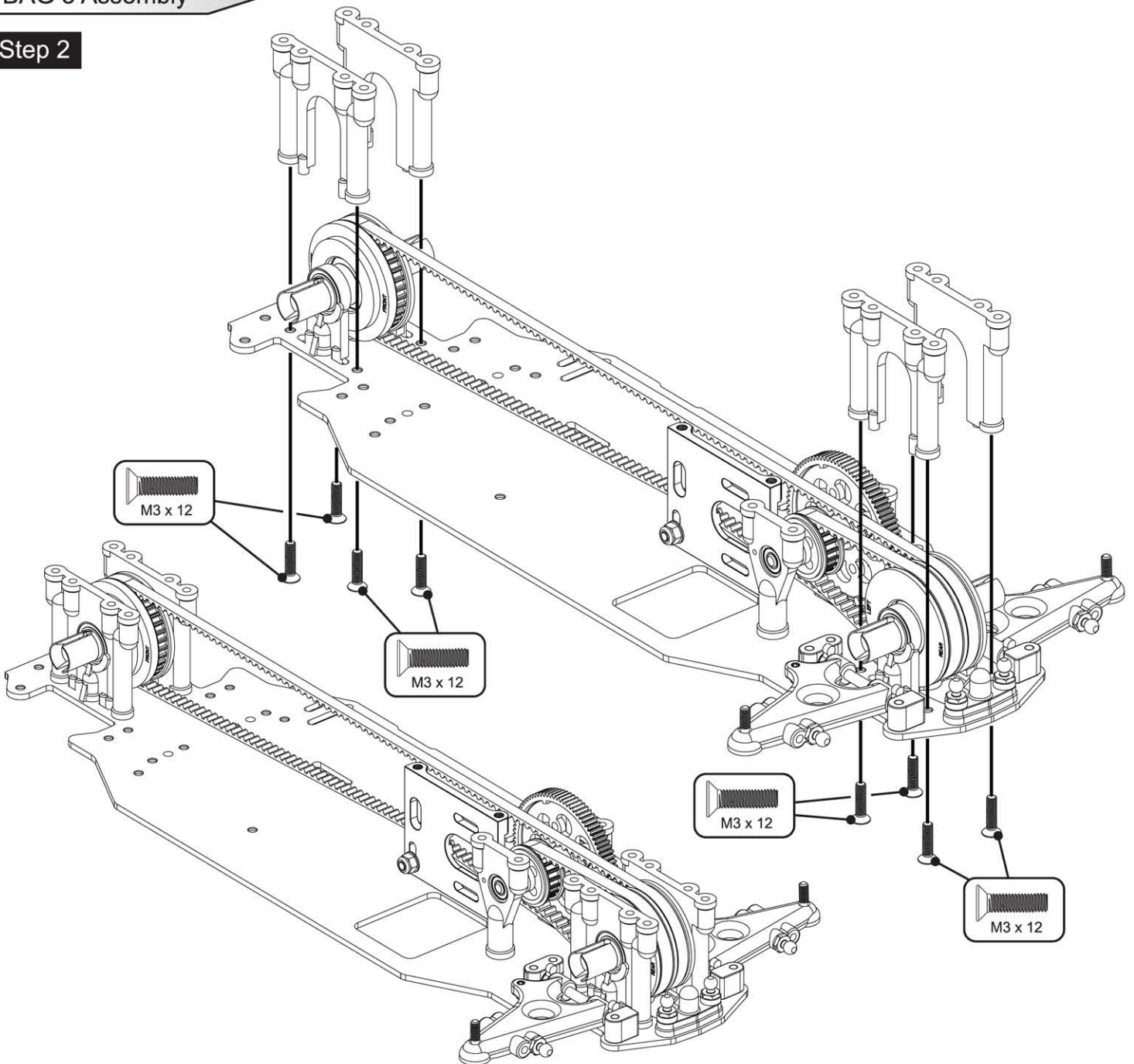
Hole to the  
FRONT



Step 1

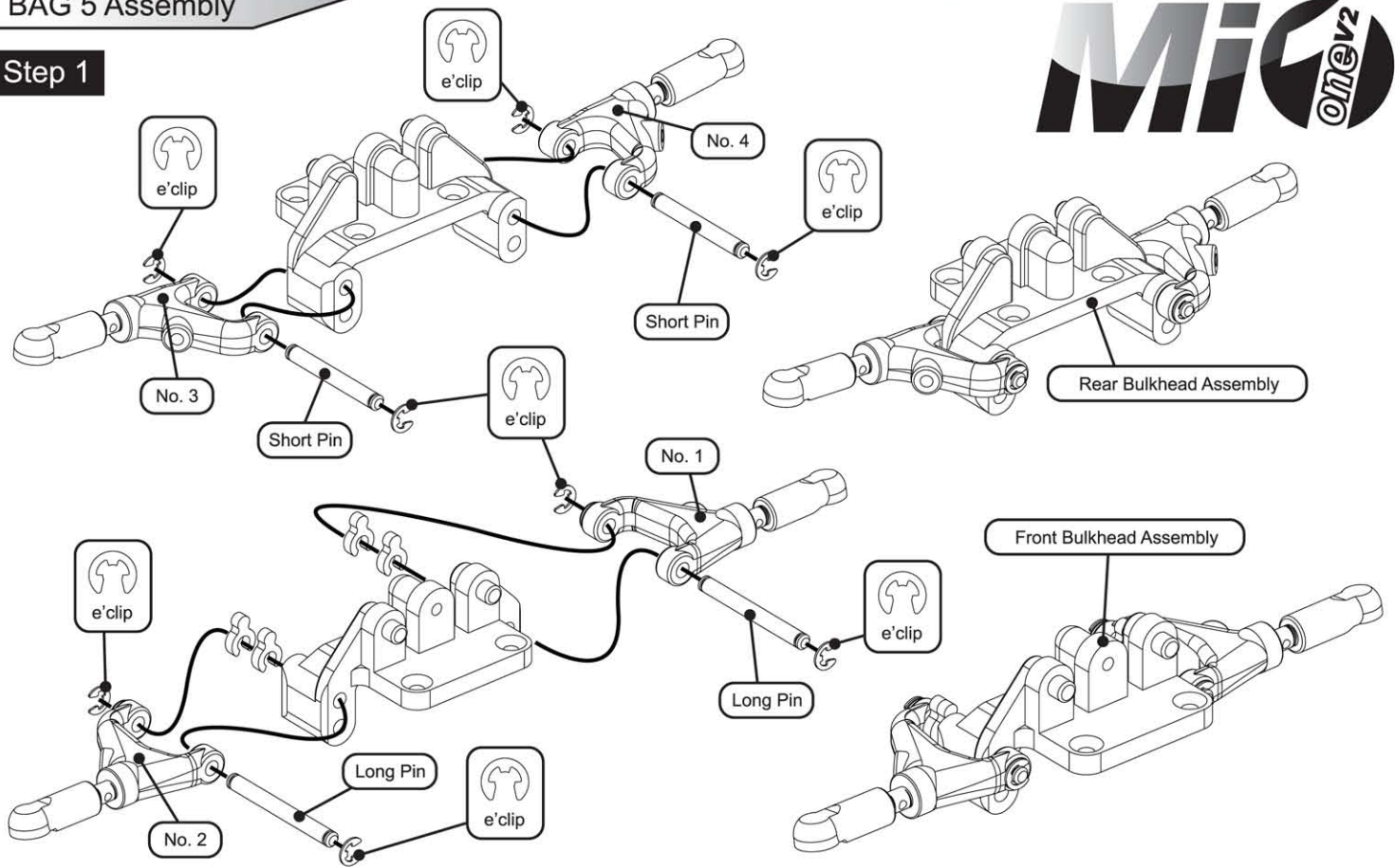


Step 2



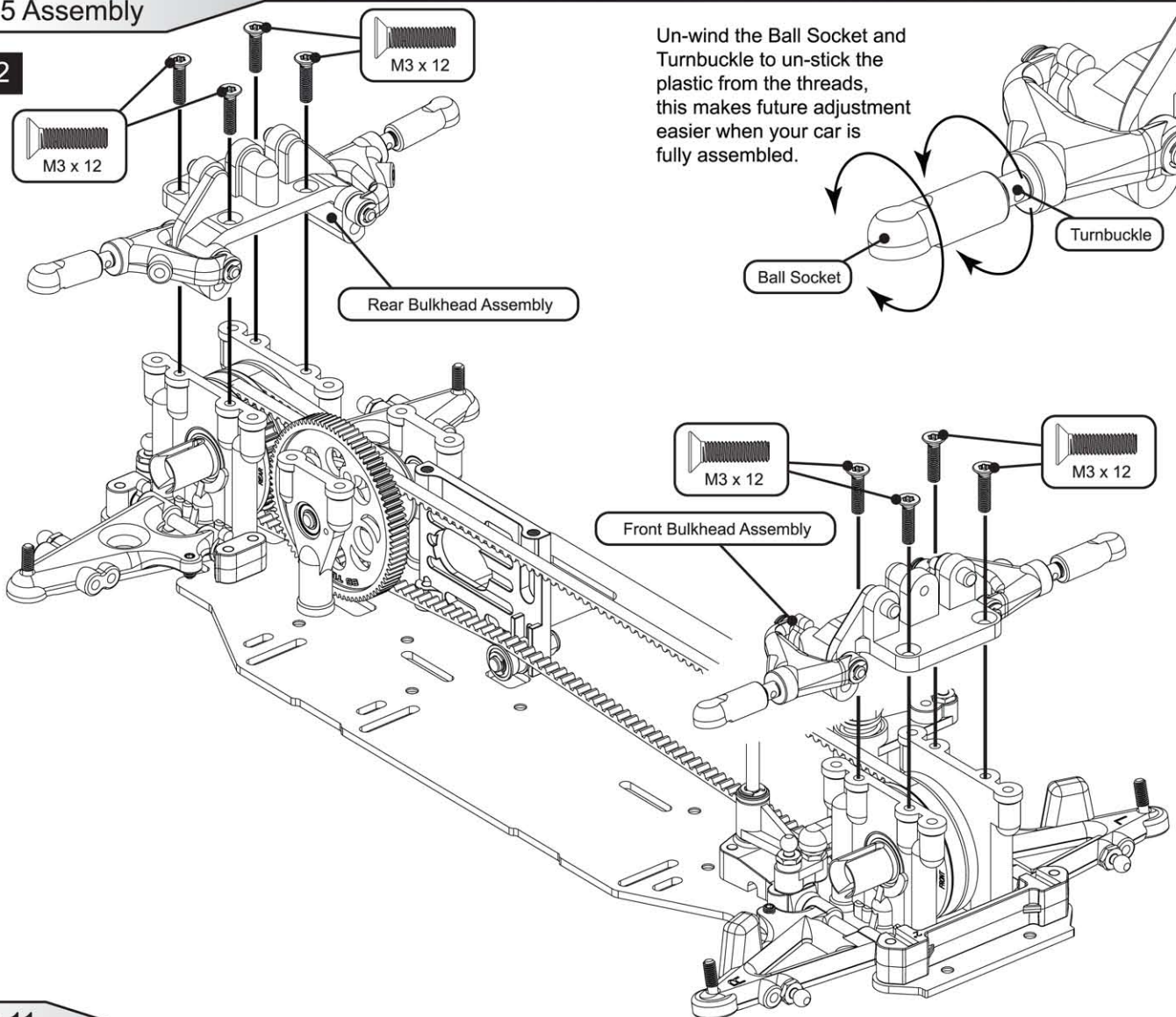


Step 1

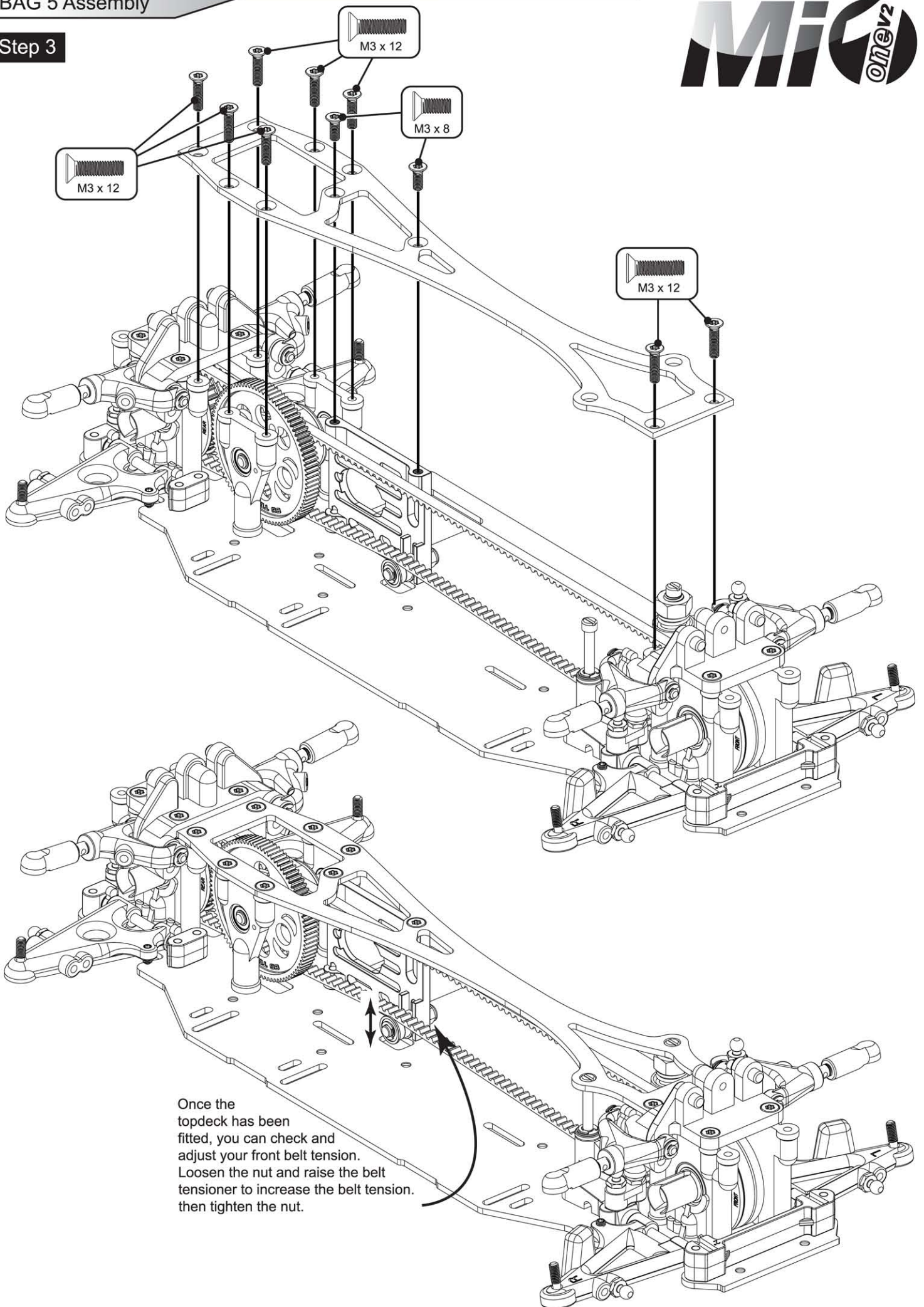


BAG 5 Assembly

Step 2



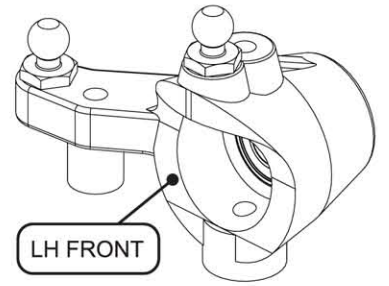
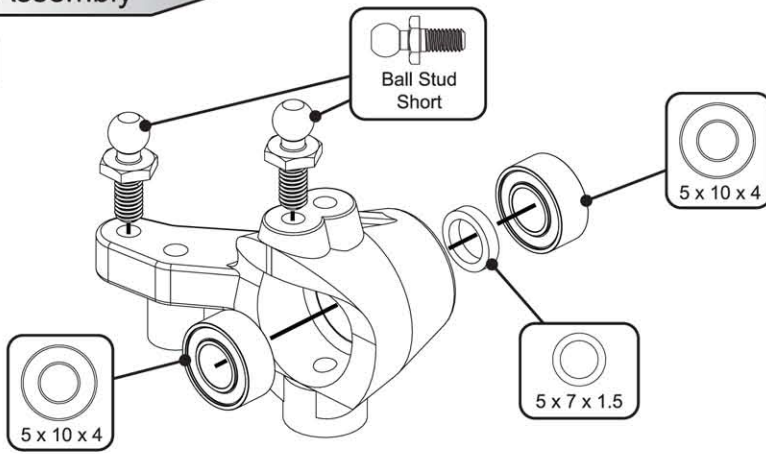
Step 3



# BAG 6 Assembly

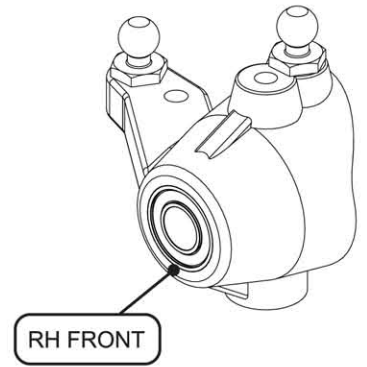
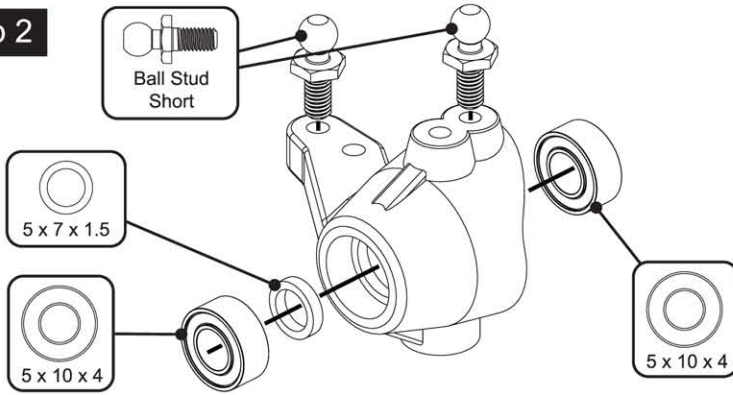


## Step 1



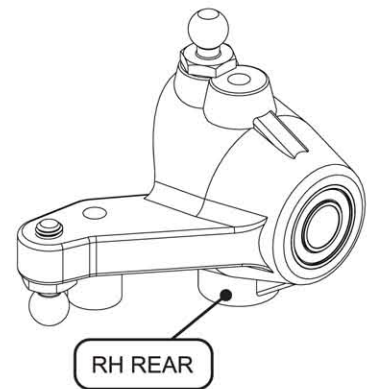
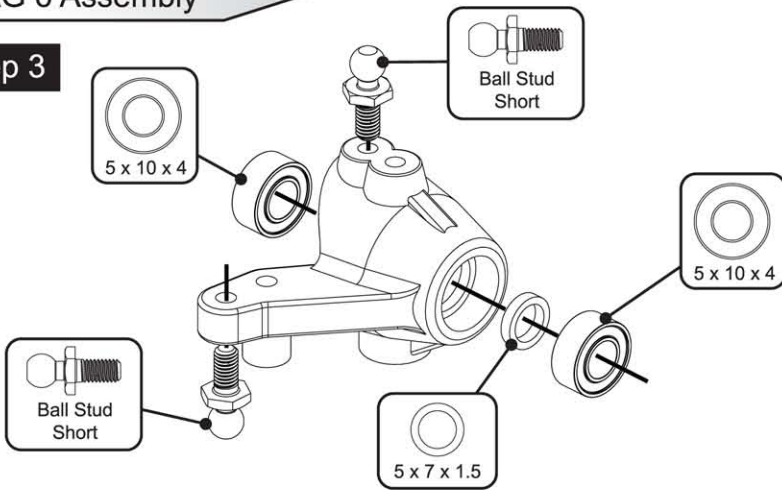
# BAG 6 Assembly

## Step 2



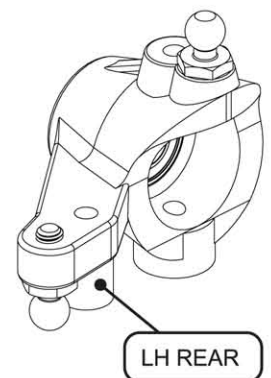
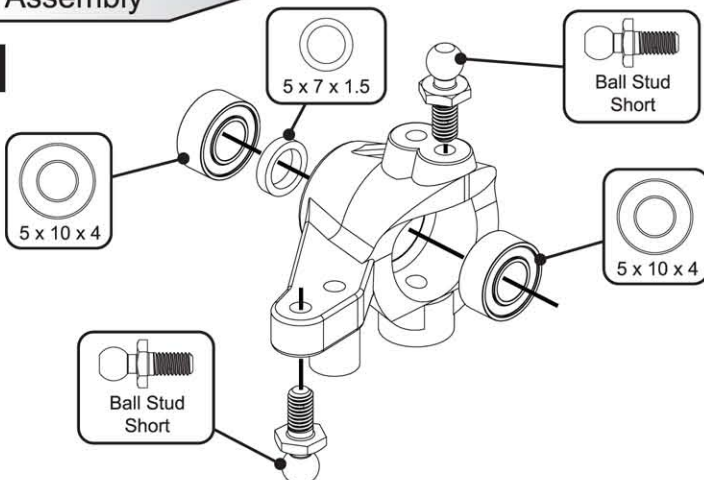
# BAG 6 Assembly

## Step 3

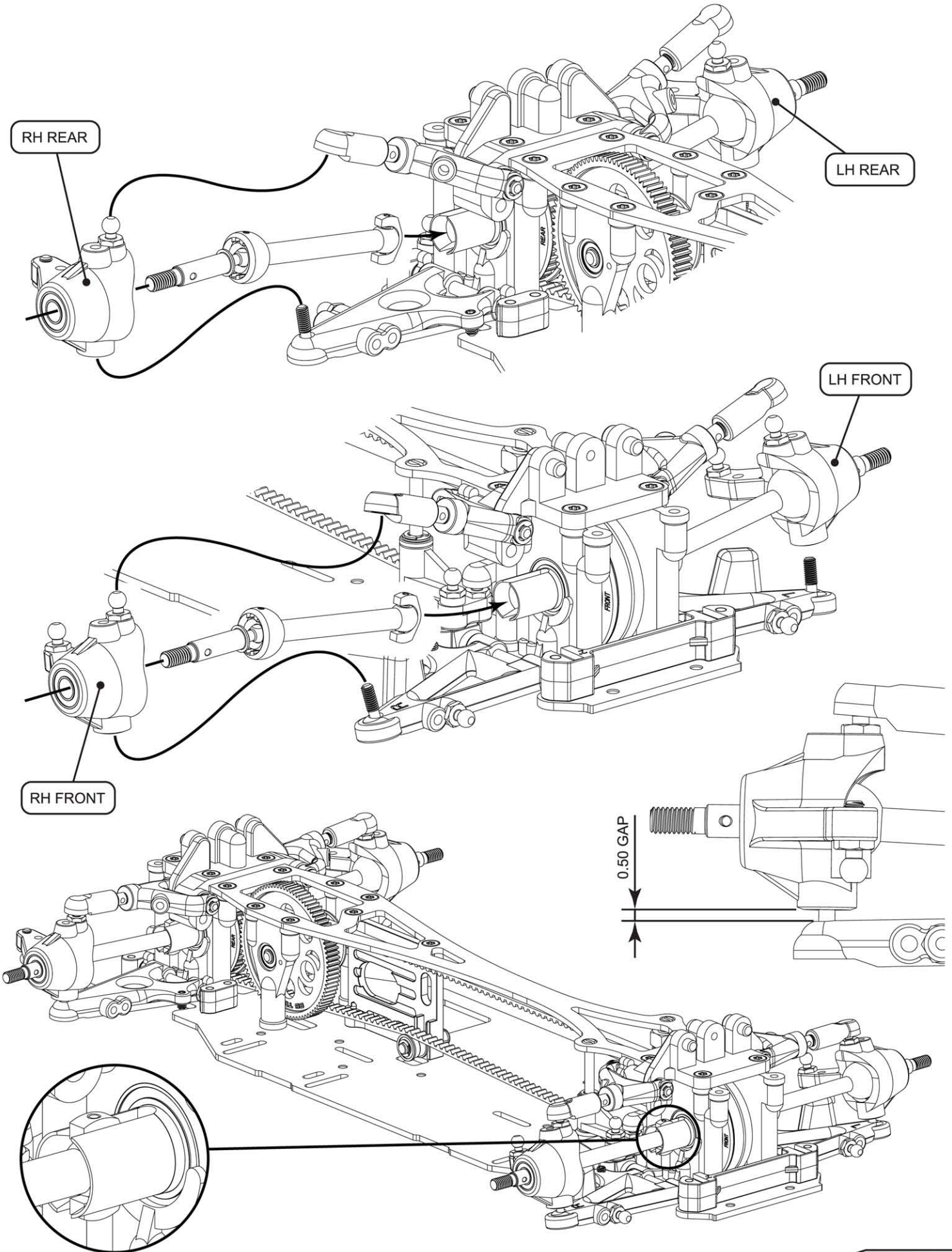


# BAG 6 Assembly

## Step 4



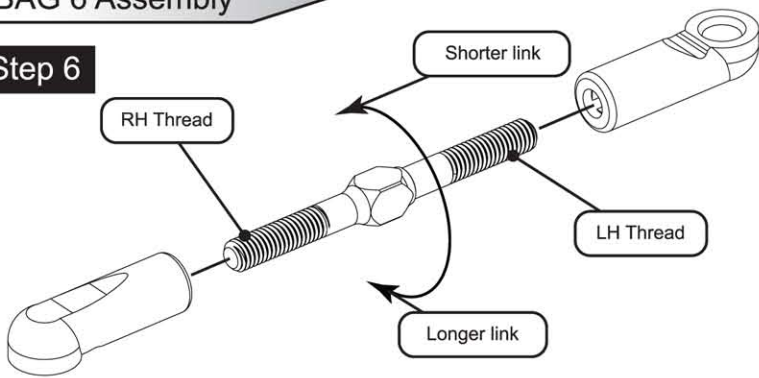
Step 5



# BAG 6 Assembly

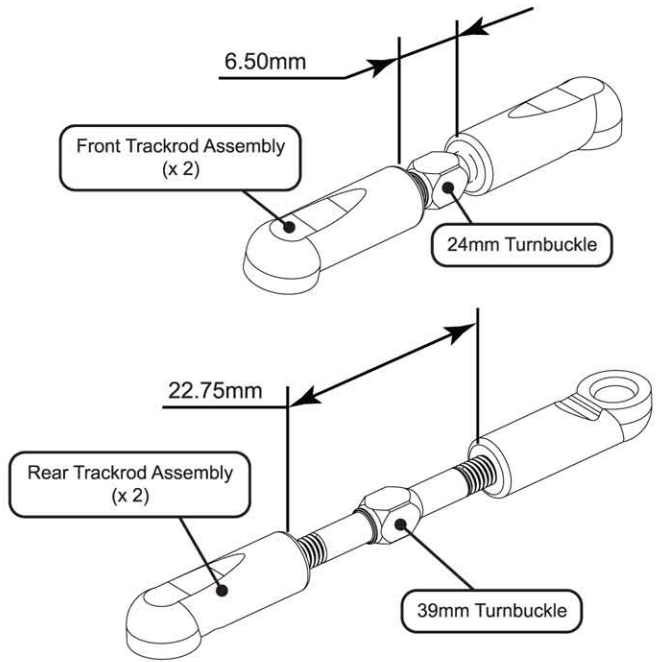
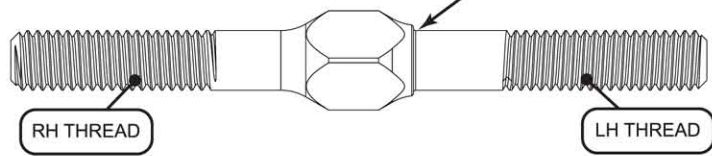


## Step 6



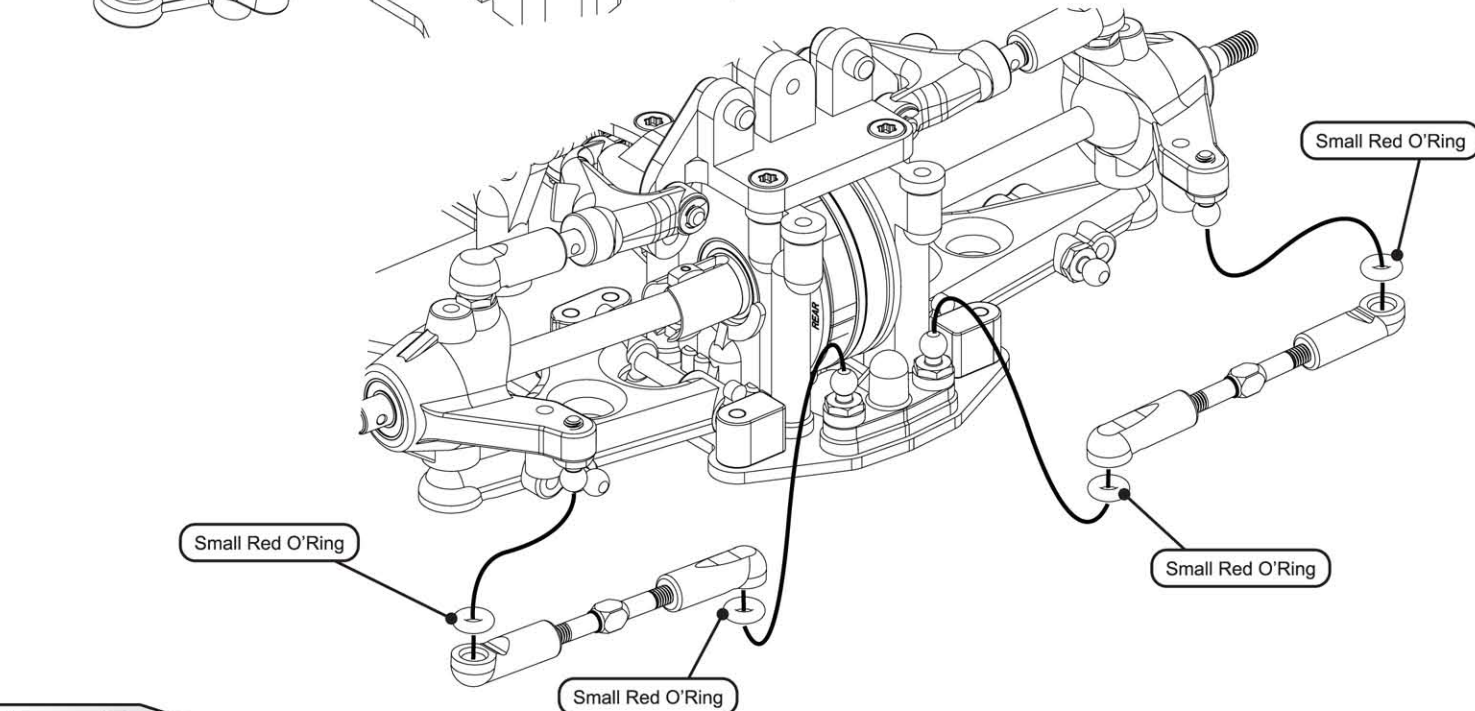
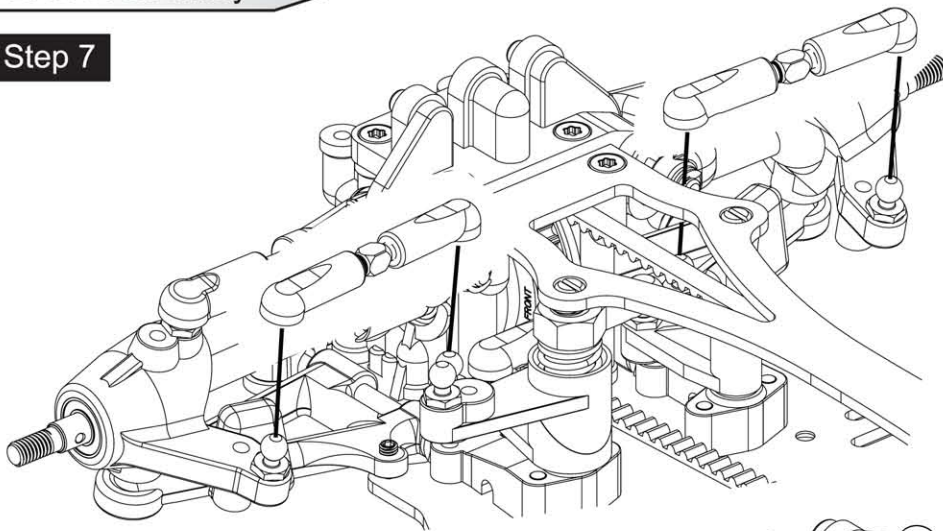
CAREFULLY SCREW THE SOCKETS ON TO THE TURNBUCKLE UNTIL NO THREADS ARE VISIBLE. THEN UNDO THEM TO THE DESIRED LENGTH. THIS ALLOWS FOR EASIER ADJUSTMENT ON THE CAR. (GREASING THE THREADS WILL ALSO HELP)

NOTE THE SHAPE OF THE TURNBUCKLE THIS SIDE OF THE TURNBUCKLE IS THE LEFT HAND THREAD.



# BAG 6 Assembly

## Step 7





# BAG 7 Assembly



## Step 1

DO NOT fully tighten these screws.  
(The links must pivot freely)

M3 x 8

M3 x 8

NOTE:  
Use the short link when using  
the upper hole in the  
suspension mount & the long  
link when using the lower hole.



Short

Long

# BAG 7 Assembly

## Step 2

M3 x 20

M3 x 12

M3 Nut

Collar

Sphere

M3 Nyloc

Cone washer

Tighten the nut as shown.  
Flush with screw.  
(Do NOT fully tighten)

Step 3

DO NOT fully tighten these screws.  
(The links must pivot freely)

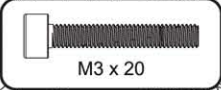
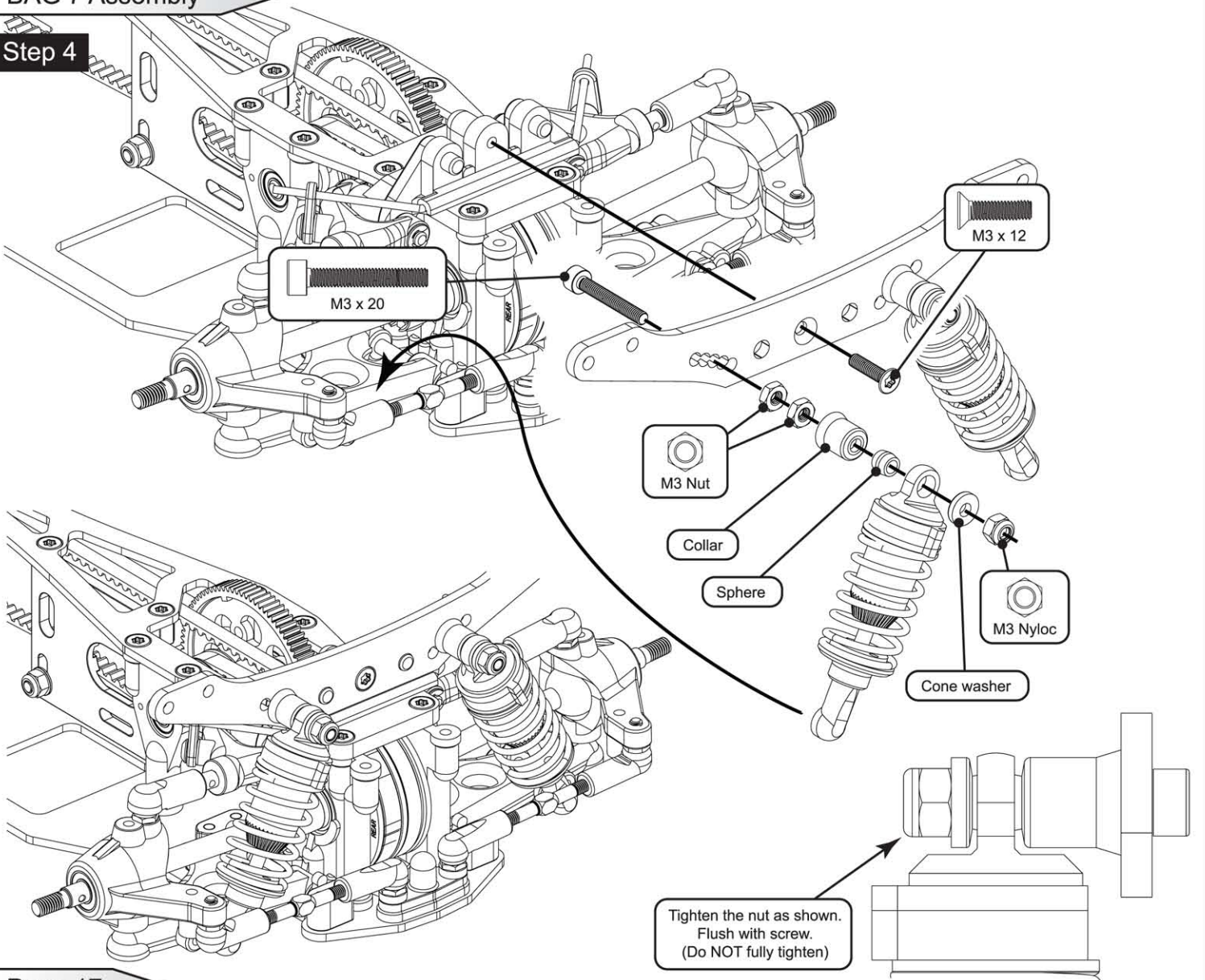


M3 x 8

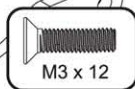
NOTE:  
Use the short link when using  
the upper hole in the  
suspension mount & the long  
link when using the lower hole.



Step 4



M3 x 20



M3 x 12



M3 Nut



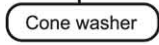
Collar



Sphere



M3 Nyloc



Cone washer

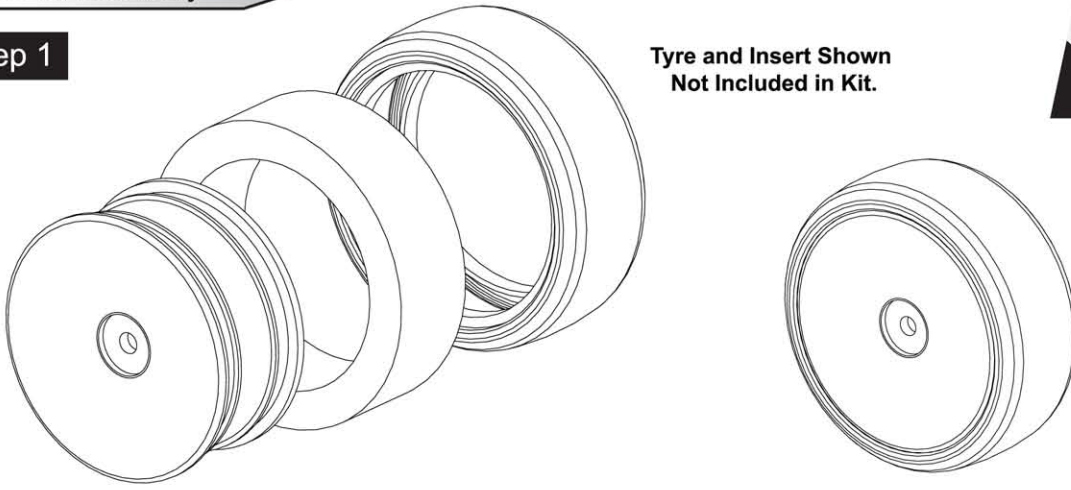
Tighten the nut as shown.  
Flush with screw.  
(Do NOT fully tighten)

# BAG 8 Assembly



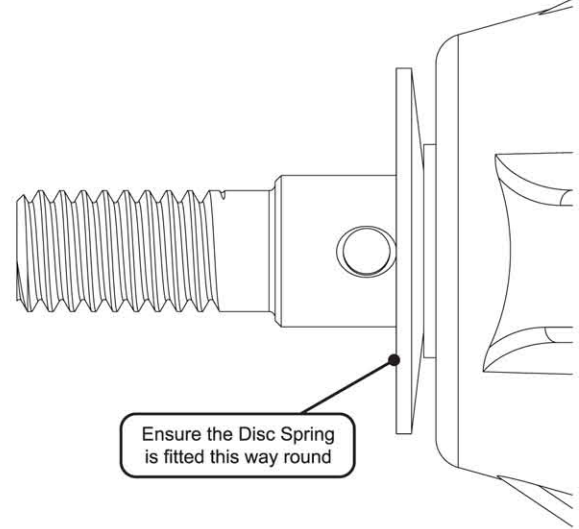
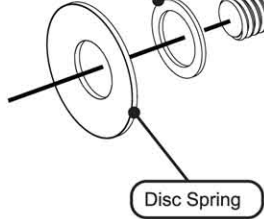
## Step 1

Tyre and Insert Shown  
Not Included in Kit.



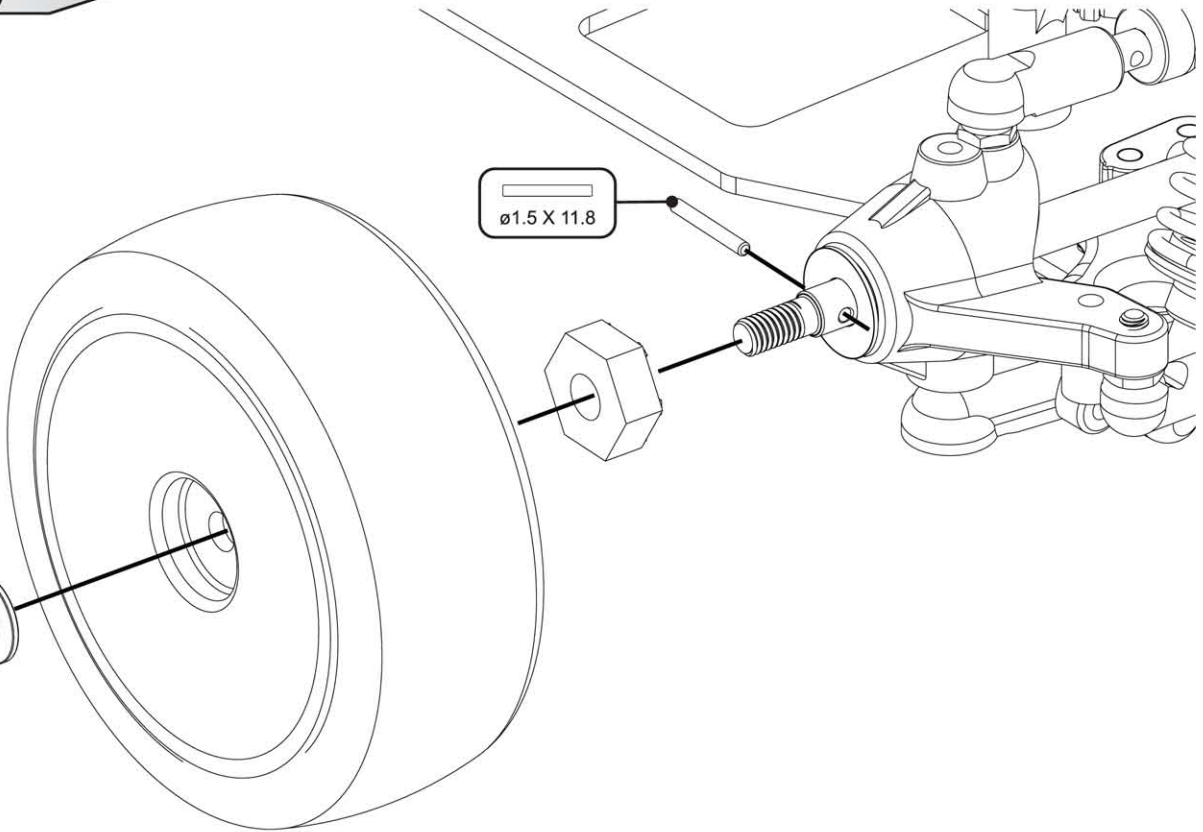
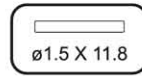
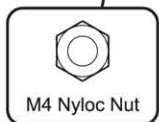
# BAG 8 Assembly

## Step 2



# BAG 8 Assembly

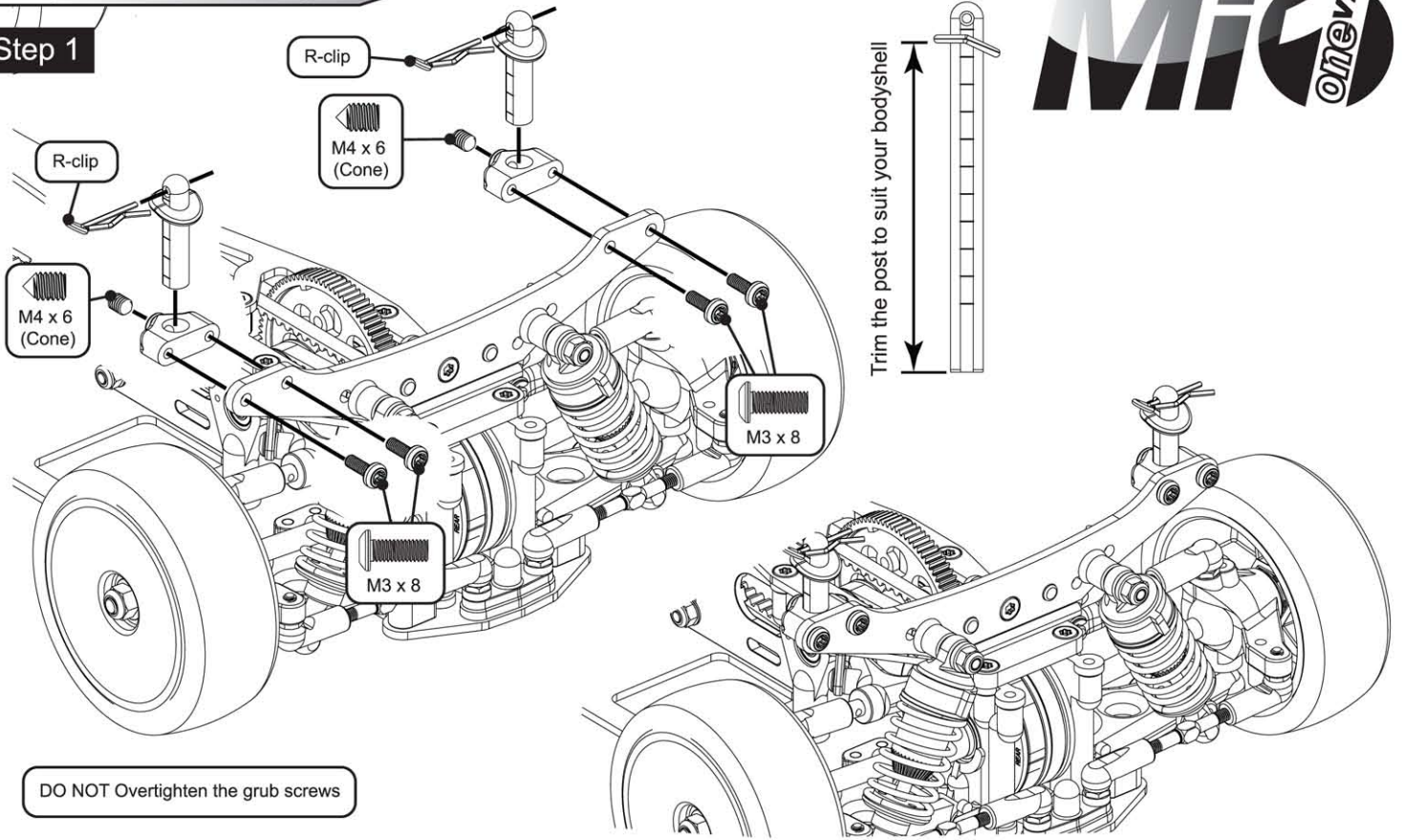
## Step 3



## Body mounts and bumper

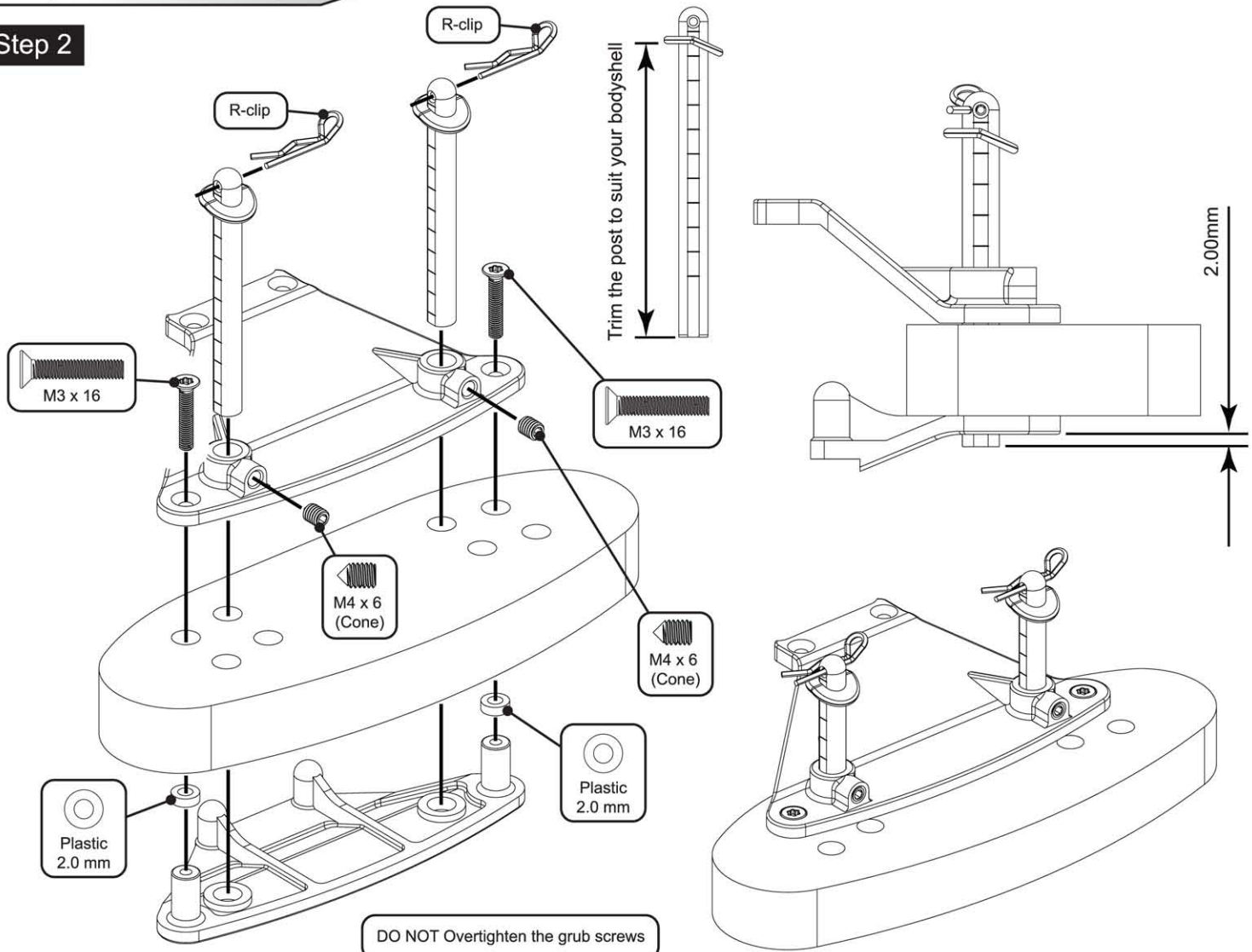


### Step 1

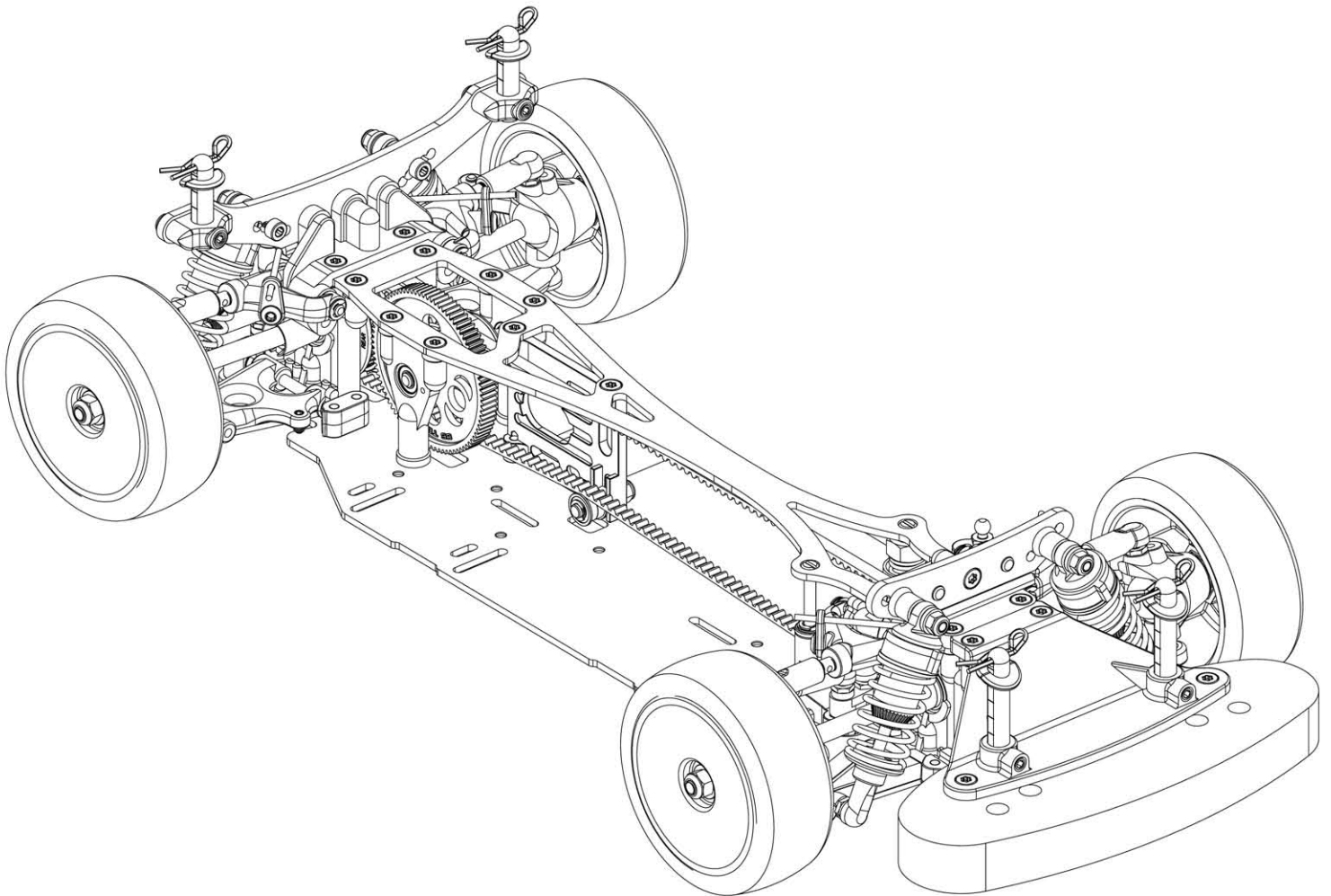
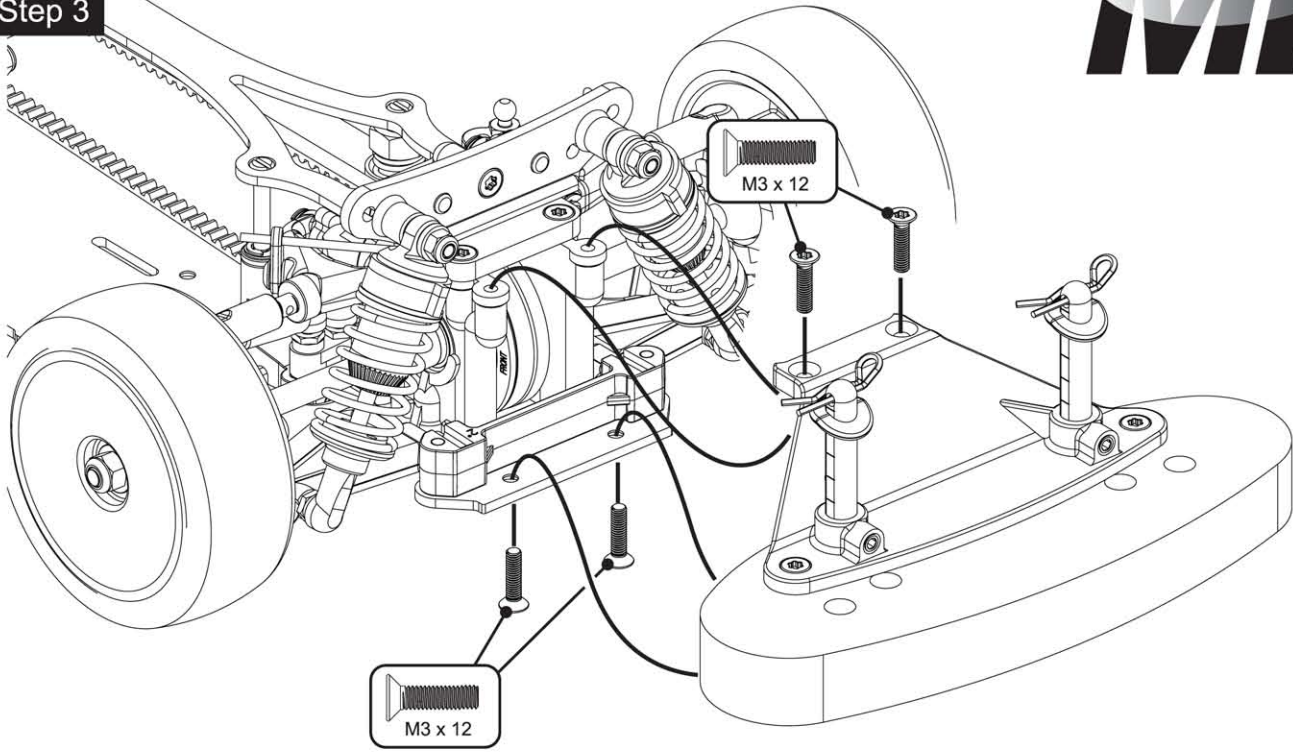


## Body mounts and bumper

### Step 2



Step 3

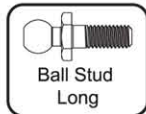


## Chassis parts (Servo Installation)

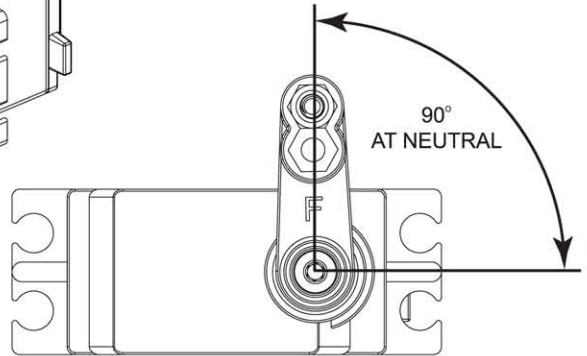
### Step 1

CHOOSE THE CORRECT HORN FOR YOUR SERVO.  
SA = SANWA/AIRTRONICS  
FU = FUTABA  
SH = HITEC

Servo Shown  
Not Included in Kit.

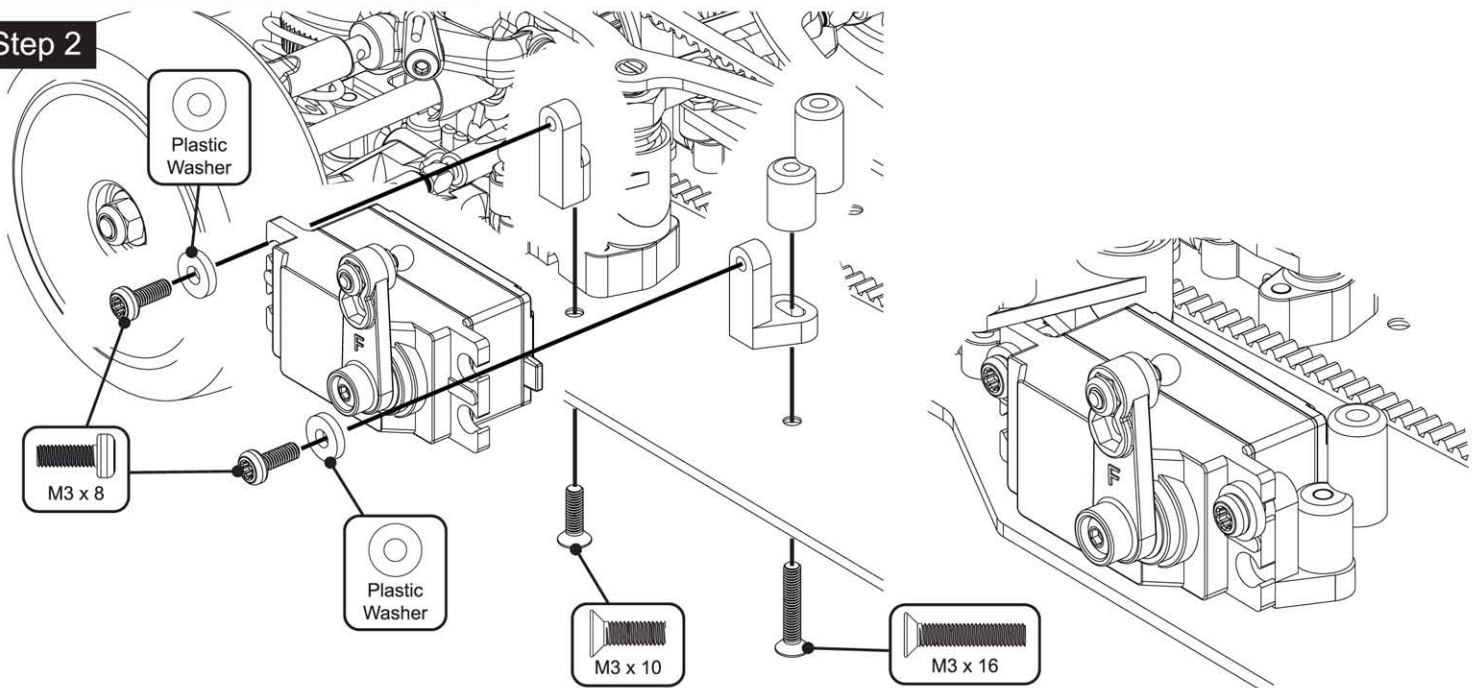


SCREW SUPPLIED WITH SERVO



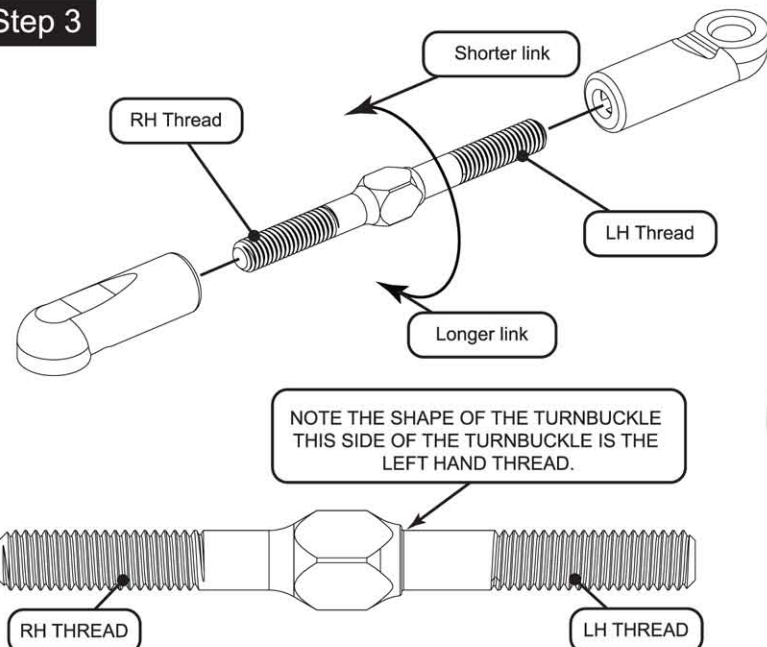
## Chassis parts (Servo Installation)

### Step 2

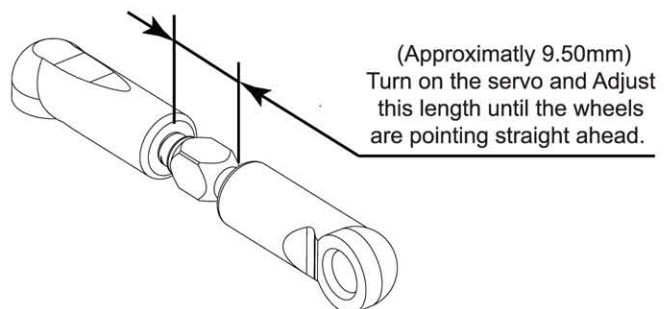


## Chassis parts (Servo Installation)

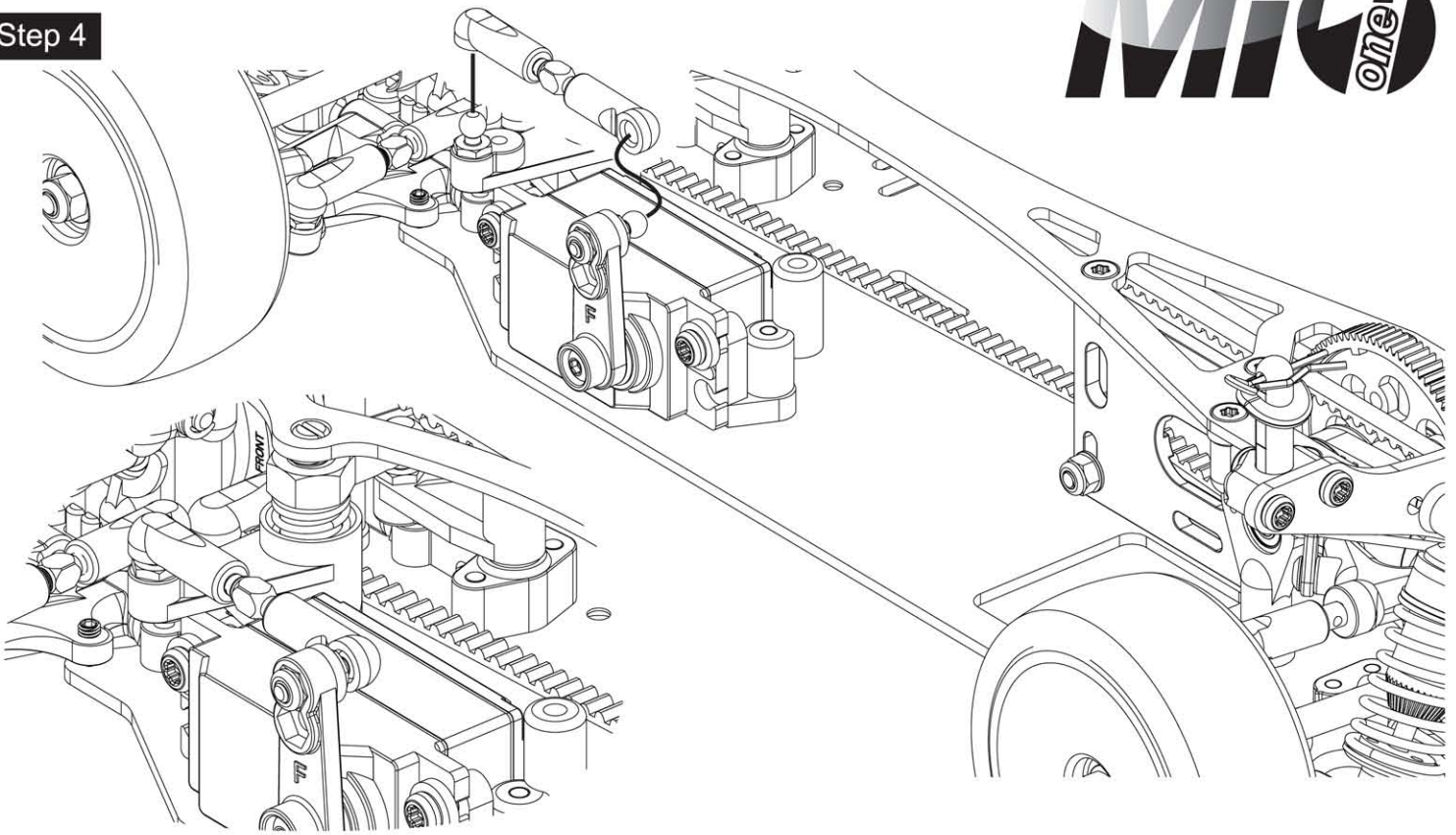
### Step 3



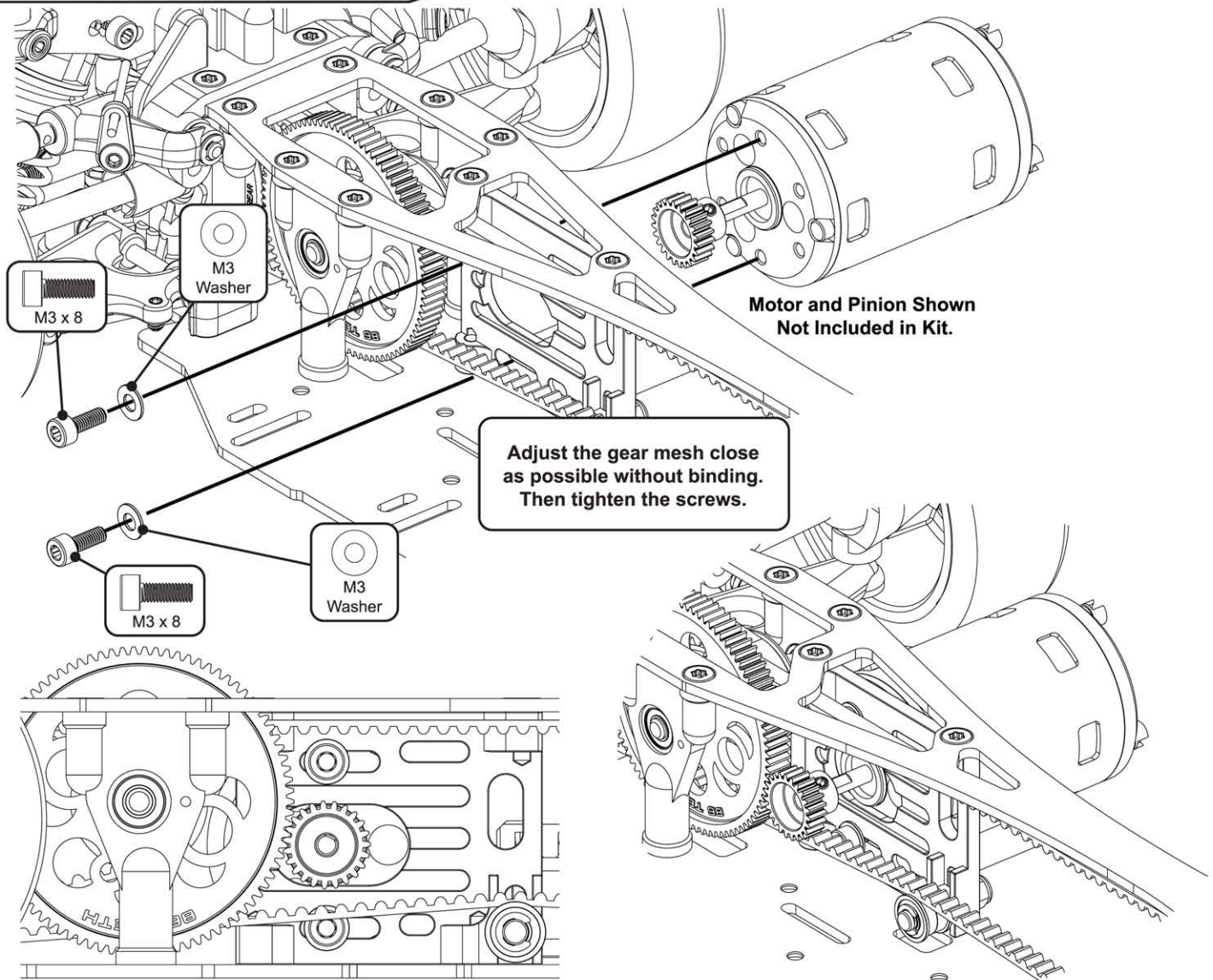
CAREFULLY SCREW THE SOCKETS ON TO THE TURNBUCKLE UNTIL NO THREADS ARE VISIBLE. THEN UNDO THEM TO THE DESIRED LENGTH. THIS ALLOWS FOR EASIER ADJUSTMENT ON THE CAR. (GREASING THE THREADS WILL ALSO HELP)



Step 4

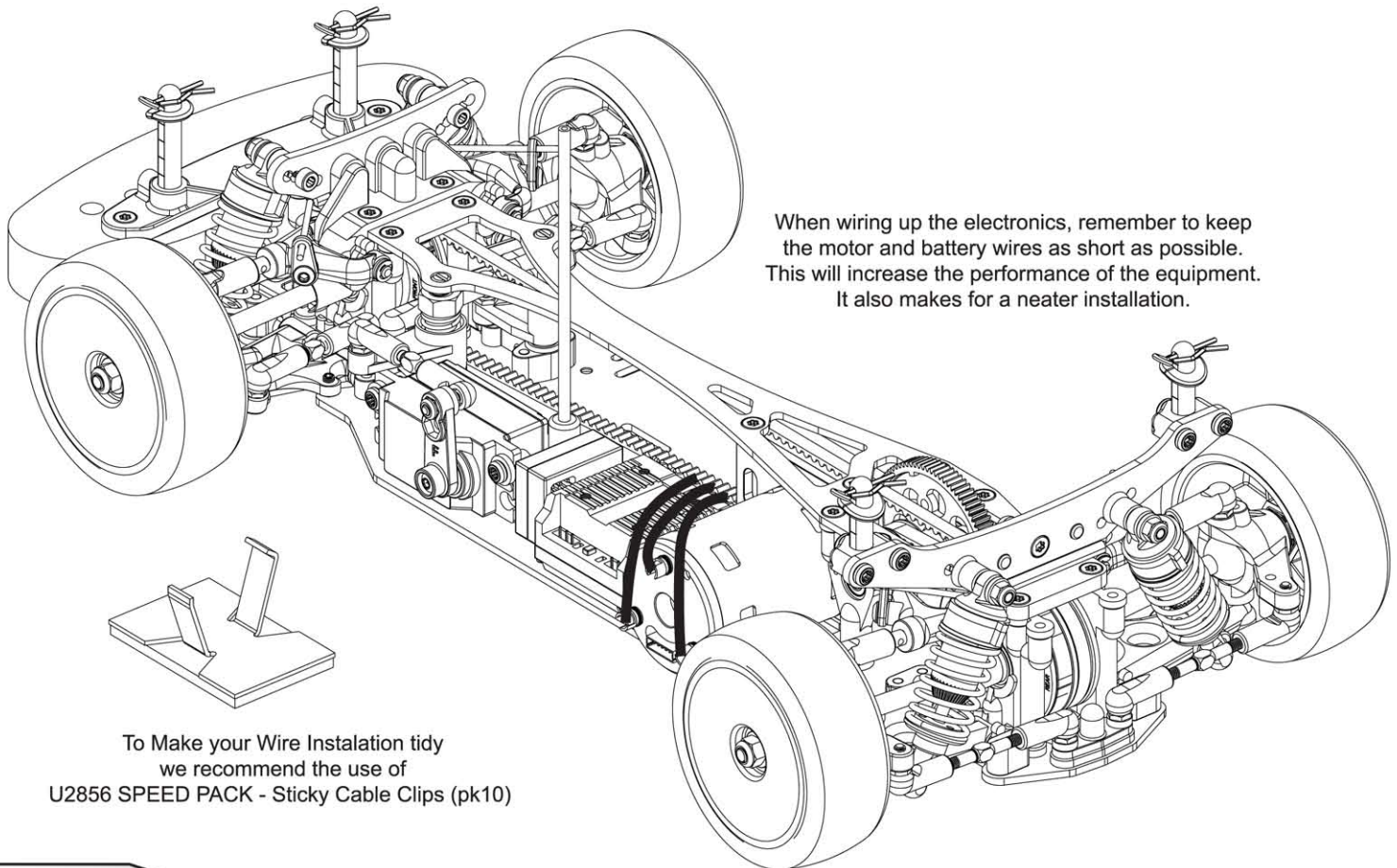
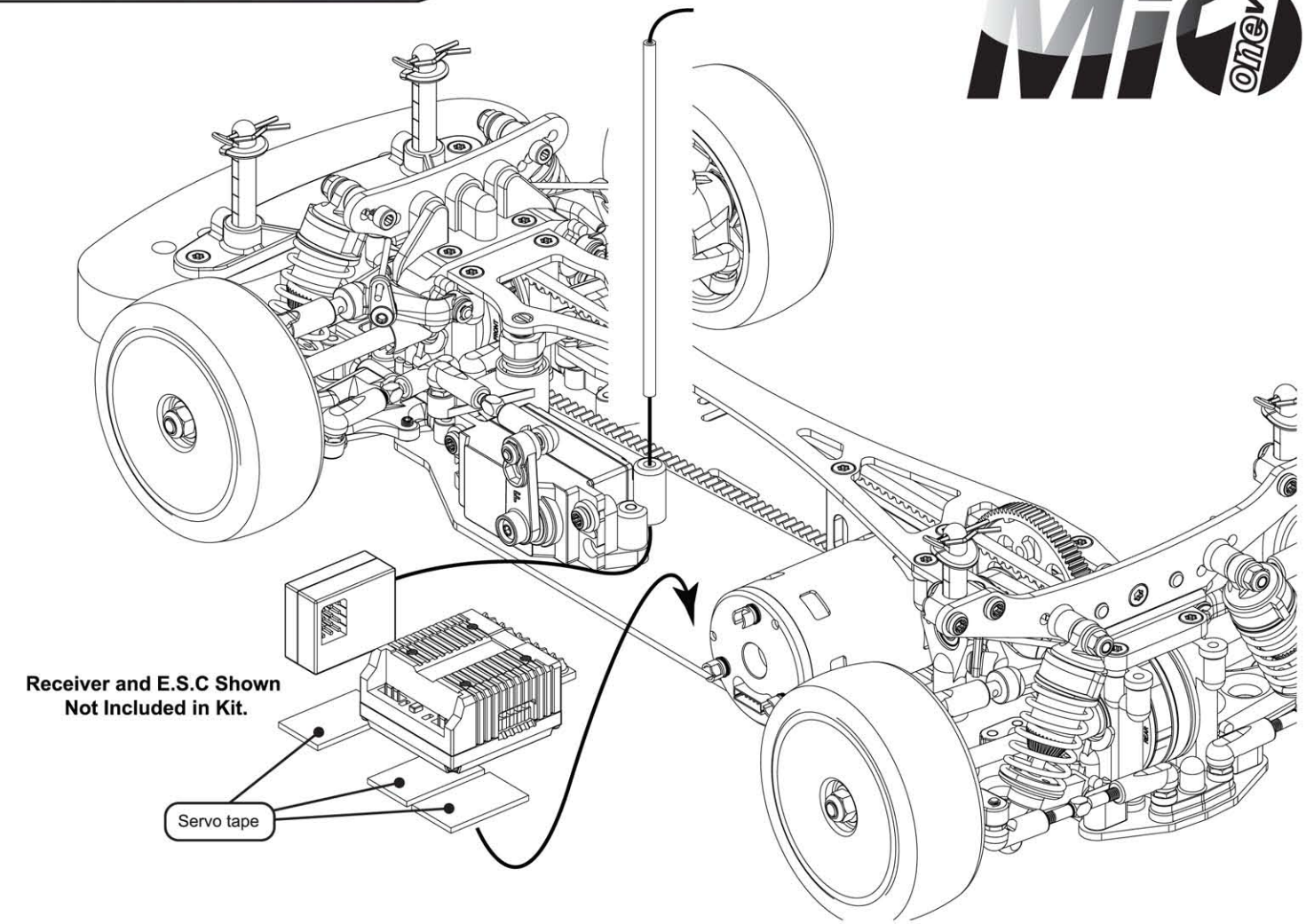


Chassis parts (Motor Installation)



Receiver and E.S.C Shown  
Not Included in Kit.

Servo tape

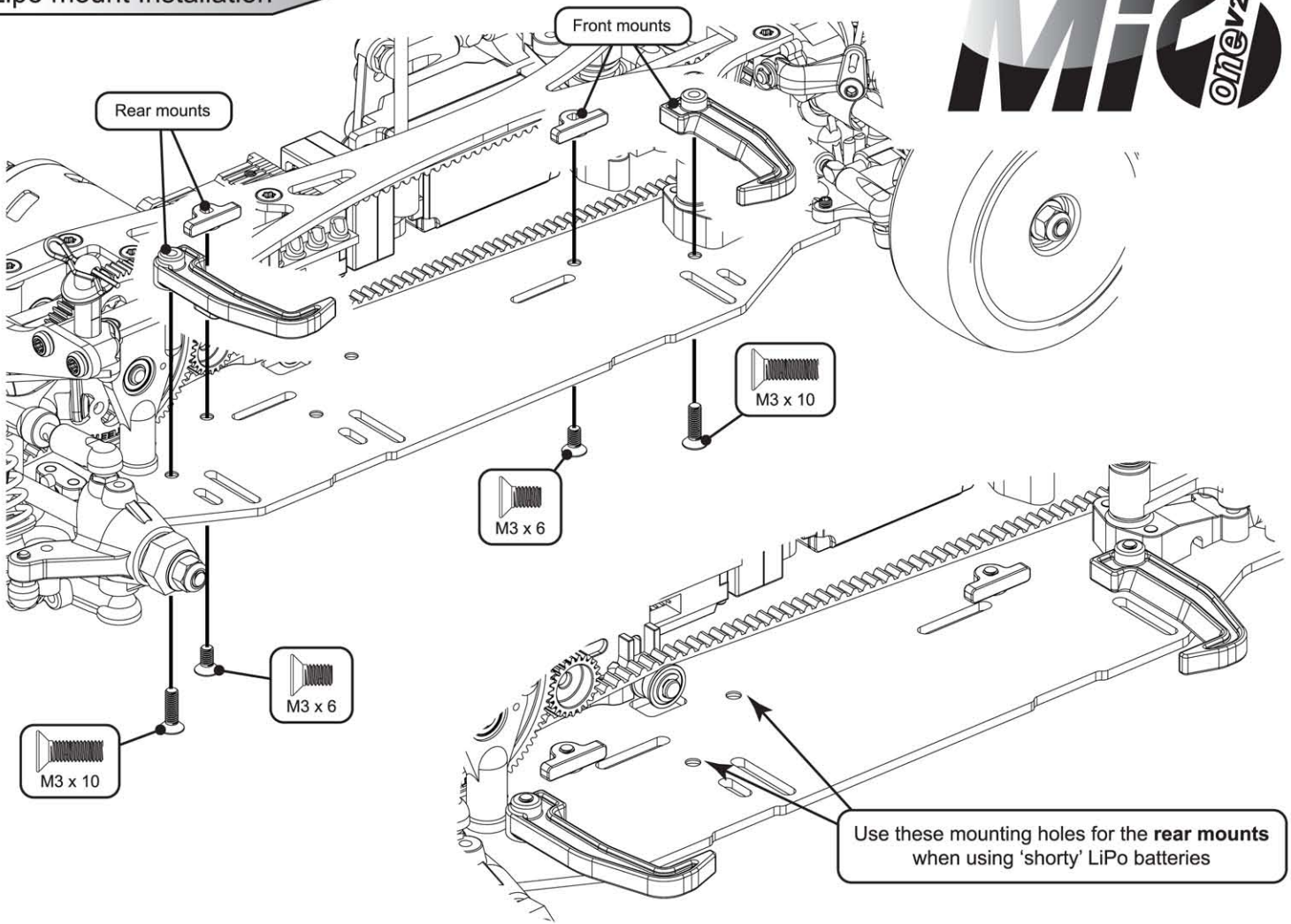


When wiring up the electronics, remember to keep the motor and battery wires as short as possible. This will increase the performance of the equipment. It also makes for a neater installation.

To Make your Wire Installation tidy we recommend the use of U2856 SPEED PACK - Sticky Cable Clips (pk10)

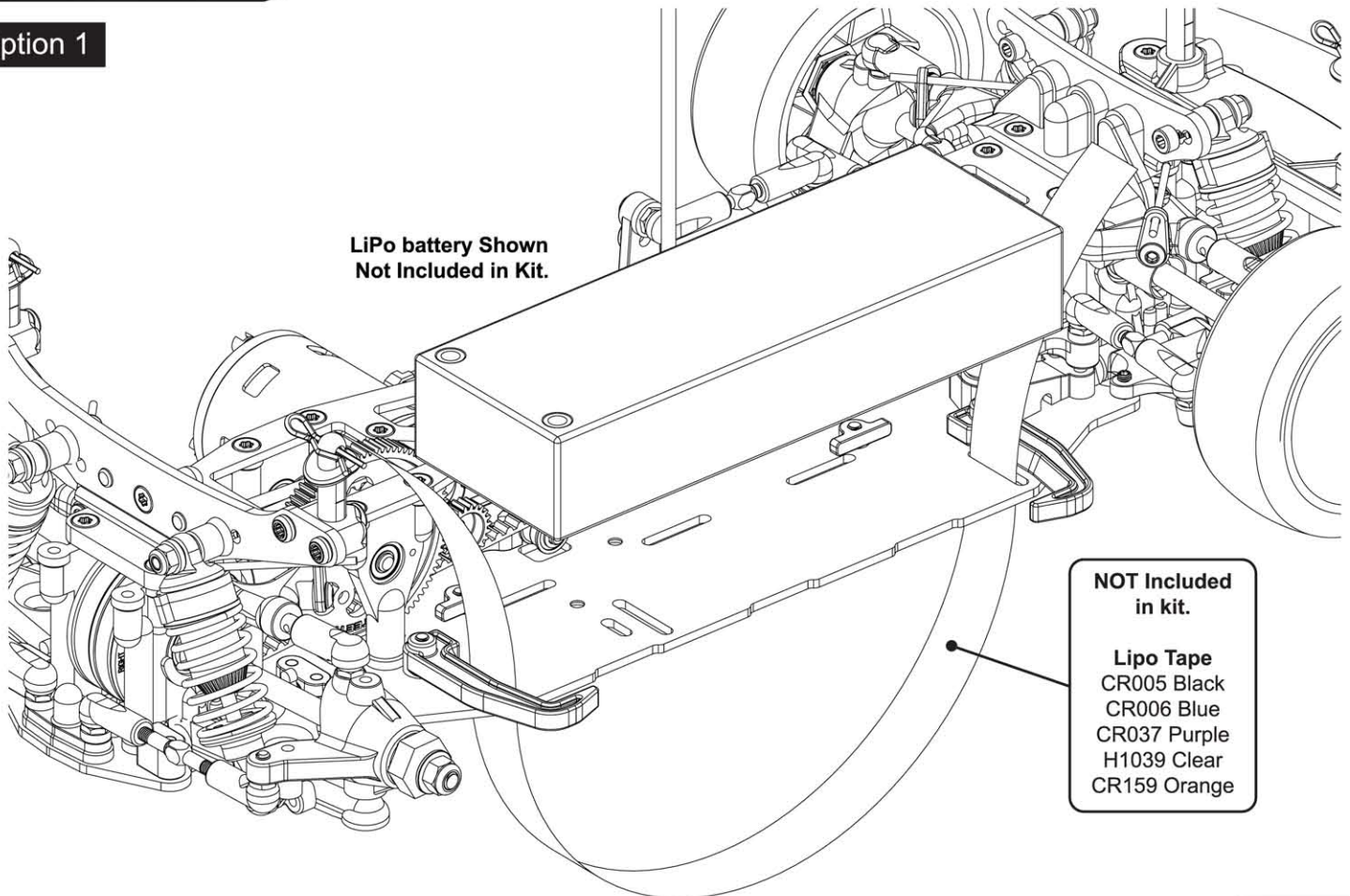


## Lipo mount Installation



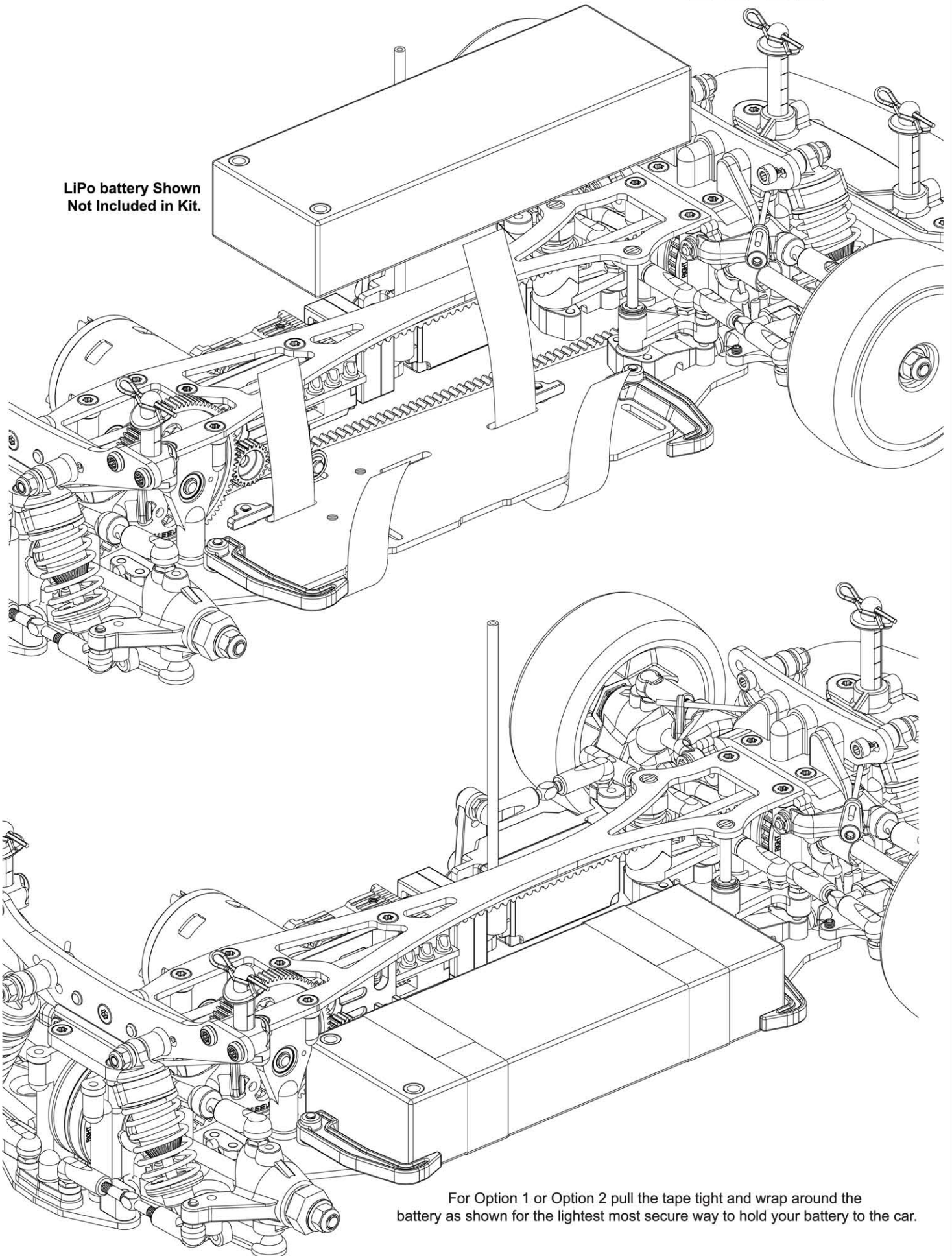
## Lipo Tape Installation

### Option 1



Option 2

**LiPo battery Shown  
Not Included in Kit.**



For Option 1 or Option 2 pull the tape tight and wrap around the battery as shown for the lightest most secure way to hold your battery to the car.

## Gear Ratio's



Internal ratio = 1.8:1  
 Minimum tooth sum = 110T  
 Maximum tooth sum = 132T

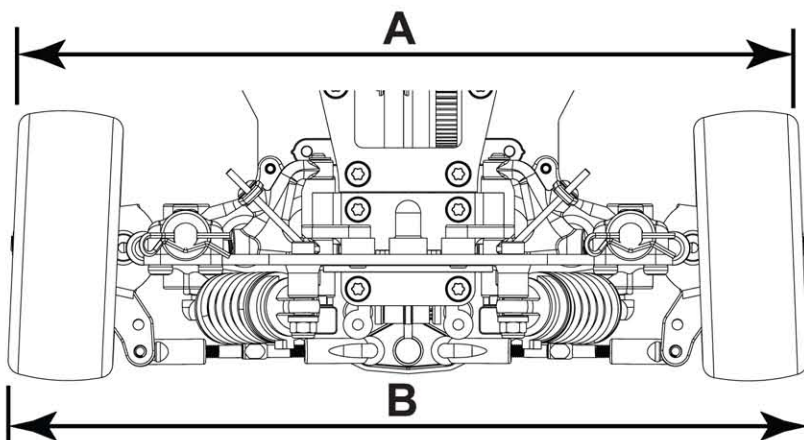
	15	16	17	18	19	20	21	22	23	24	25	26	27	28	29	30	31	32	33	34	35	36	37	38	39	40
95	11.40	10.69	10.06	9.50	9.00	8.55	8.14	7.77	7.43	7.13	6.84	6.58	6.33	6.11	5.90	5.70	5.52	5.34	5.18	5.03	4.89	4.75	4.62			
92				9.20	8.72	8.28	7.89	7.53	7.20	6.90	6.62	6.37	6.13	5.91	5.71	5.52	5.34	5.18	5.02	4.87	4.73	4.60	4.48	4.36	4.25	4.14
89							7.63	7.28	6.97	6.68	6.41	6.16	5.93	5.72	5.52	5.34	5.17	5.01	4.85	4.71	4.58	4.45	4.33	4.22	4.11	4.01
86										6.45	6.19	5.95	5.73	5.53	5.34	5.16	4.99	4.84	4.69	4.55	4.42	4.30	4.18	4.07	3.97	3.87
83													5.53	5.34	5.15	4.98	4.82	4.67	4.53	4.39	4.27	4.15	4.04	3.93	3.83	3.74

## Rear Toe-in/out (outboard)

The rear toe-in is set by adjusting the turnbuckles at the rear of the car.

Toe-In = A less than B  
 Toe-Out = A greater than B

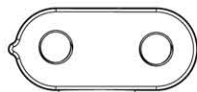
Less rear toe in will free up the rear of the corner making it rotate more in the turn, at the expense of some rear traction. This will make the car more difficult to drive. We use less rear toe in in high grip conditions.



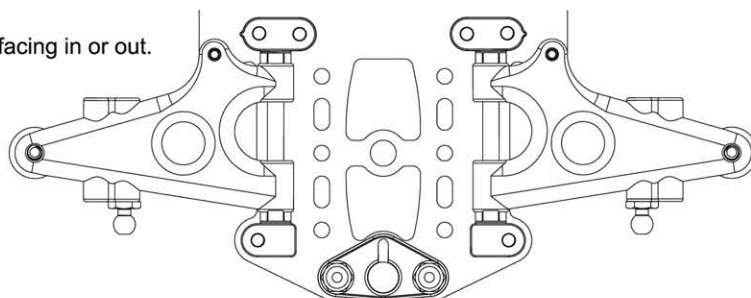
## Rear Toe-in/out (inboard)

The rear In-Board Toe-In is set by fitting the pivot blocks With the ridge facing in or out.

Facing in = 2° Toe-In  
 Facing out = 0° Toe-In

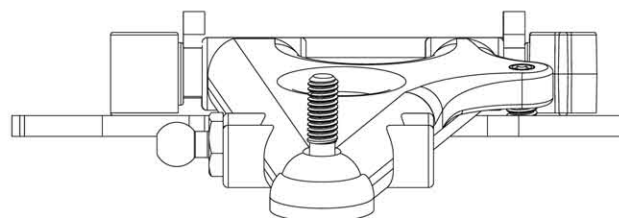


Less rear toe in will free up the rear of the corner making it rotate more in the turn, at the expense of some rear traction. This will make the car more difficult to drive. We use less rear toe in in high grip conditions.



## Suspension droop & Anti-squat

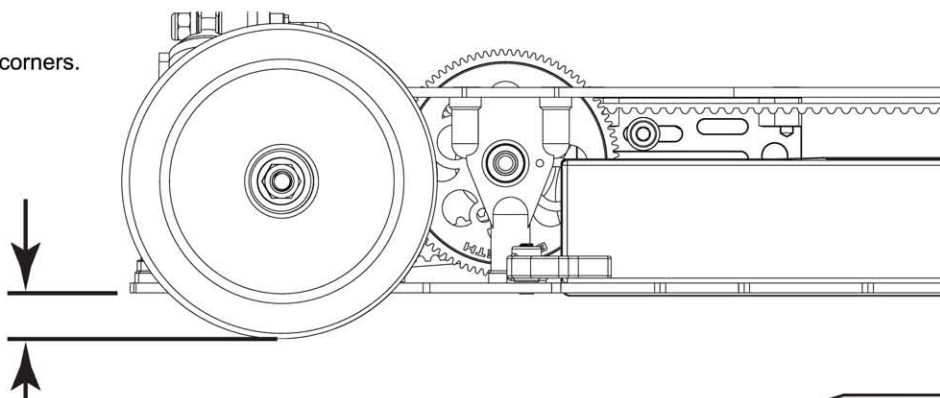
The suspension droop can be adjusted using the grub screw in the lower wishbones. Less droop improves steering response. More droop increases rear grip.



The car has 0° anti squat as standard.  
 More anti squat will give more on power traction, but less off power traction, However too much will make the car unstable when turning into high speed corners. With 0° anti squat the steering will be precise & positive.

## Ride Height

In general always run the car as low as possible, without the chassis grounding out, as it rolls into corners. Run the front 0.5mm to 1.0mm lower than the rear, to give more steering. A good starting point is 5.5mm at the front and 6.0mm at the rear.



## Front Toe-in/out (outboard)



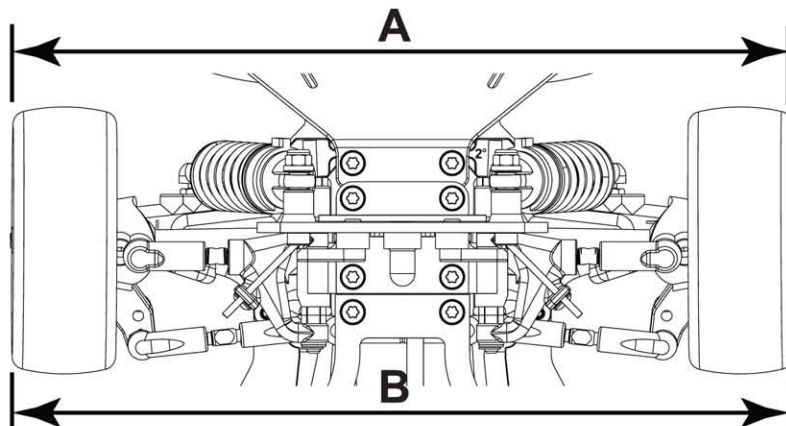
The front toe-in is set by adjusting the steering trackrod turnbuckles.

Toe-In = A less than B  
Toe-Out = A greater than B

Toe-in will give a more stable car, but will give less sharp turn in.

Toe-out will give the opposite, less stability with sharper turn in to the corners.

We recommend to start at about 0° or 1° toe-out.

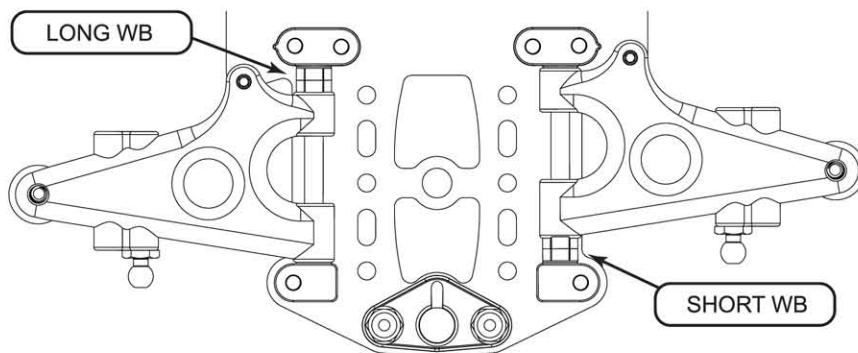


## Wheelbase Adjustment

The length of the wheelbase is set by fitting the two kwik clips in different positions.

Two front of the wishbone = Long.  
One either side of the wishbone = Medium.  
Two behind the wishbone = Short

Use spacers to maintain the wheelbase length after adjusting the Castor or Toe-In/Out.  
In general a longer wheelbase will offer more steering.



## Front Toe-out (inboard)

The front In-board toe-out is set by fitting the front strap with the 2° mark up or down.

2° mark showing (up) = 0°.  
2° not showing (down) = 2° toe-out.

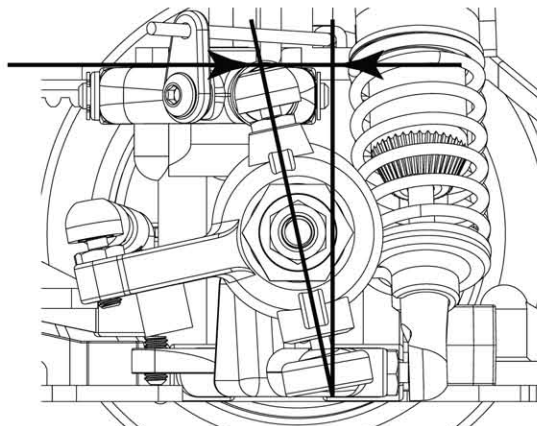
With the In-board position set to 2° the steering will be smooth and progressive, when set to 0° the steering is more aggressive.



## Front Castor

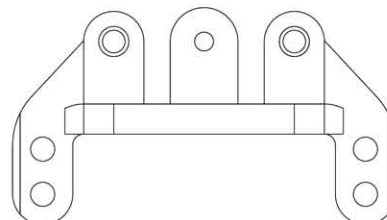
The front castor can be altered by moving the two kwik clips on the top wishbone pivot pin. Less castor will give a quicker steering response, but could lead to power on understeer. More castor will give the opposite, slightly slower turn in, but more power on steering.

Two kwik clips at rear = 11°  
One kwik clip either side = 8.5°  
Two kwik clips at front = 6°



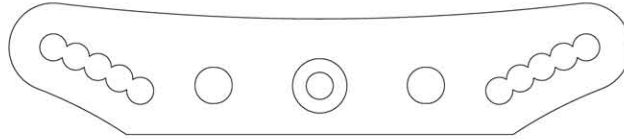
## Upper Suspension Mount

The upper (standard) hole makes the car smooth and predictable. The lower hole can offer better grip, but with a much less predictable breakaway.



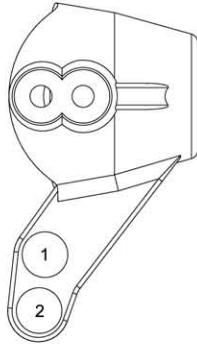
## Shock Brackets

Vertical shock absorbers make the car react sharply to driver inputs. A laydown shock offers a softer feel to the driver.



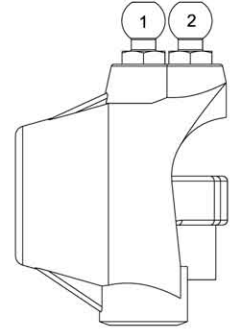
## Steering Arm

Use hole (1) for a faster, more aggressive steering response and more lock. Use hole (2) for smoother more proportional steering. Hole (2) is generally better on high grip tracks.



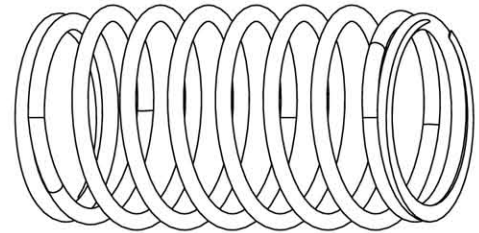
## Link Position

Position 1 offers an aggressive initial steering response. Position 2 (standard) offers a softer initial steering response.



## Springs

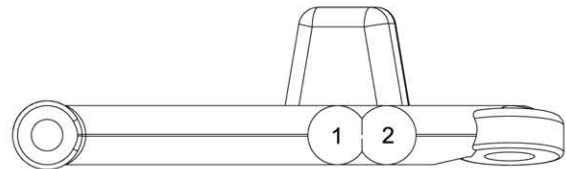
The spring rate controls the suspension stiffness. Fit spring spacers only to change the ride height. They DO NOT alter the suspension stiffness. On slippery or bumpy tracks use soft to medium rate springs, on flat or high grip tracks run medium to hard rate springs.



## Lower Shock Position

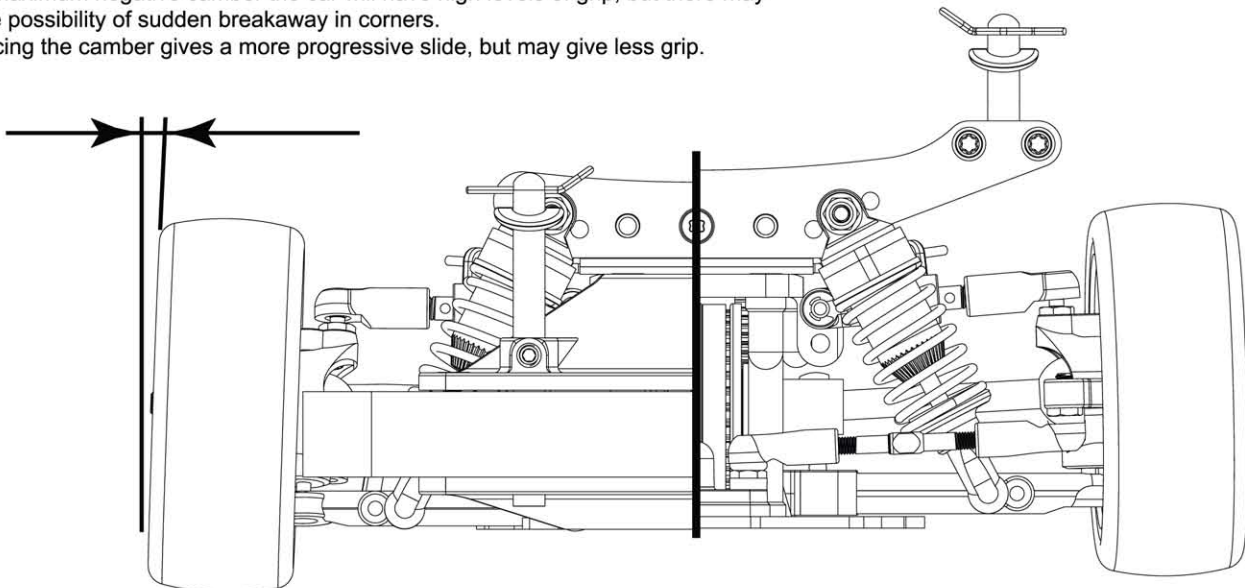
Inner (standard) position (1) is best for most tracks & conditions.

The outer position (2) is good on VERY high grip tracks.



## Camber (front and rear)

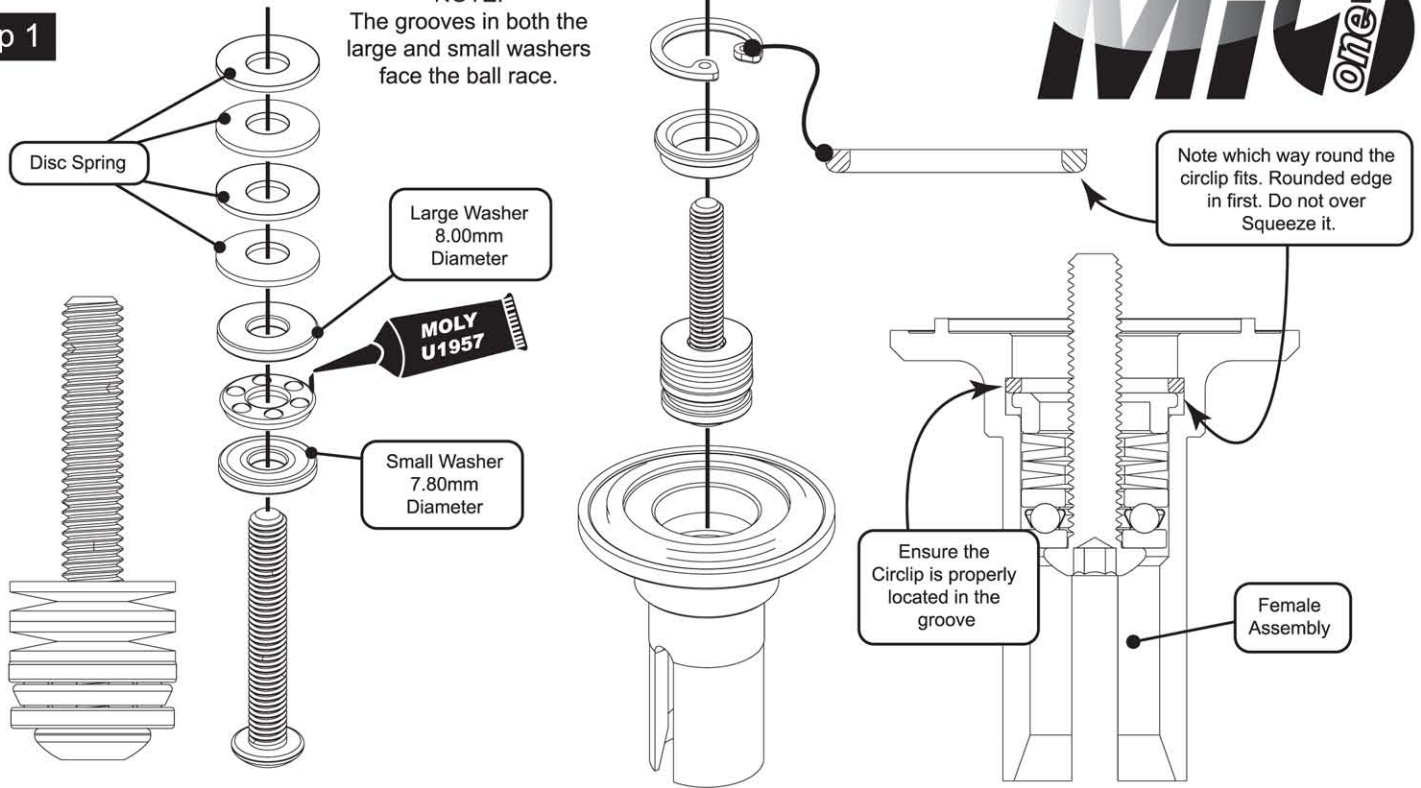
With maximum negative camber the car will have high levels of grip, but there may be the possibility of sudden breakaway in corners. Reducing the camber gives a more progressive slide, but may give less grip.



# Front Differential Rebuild

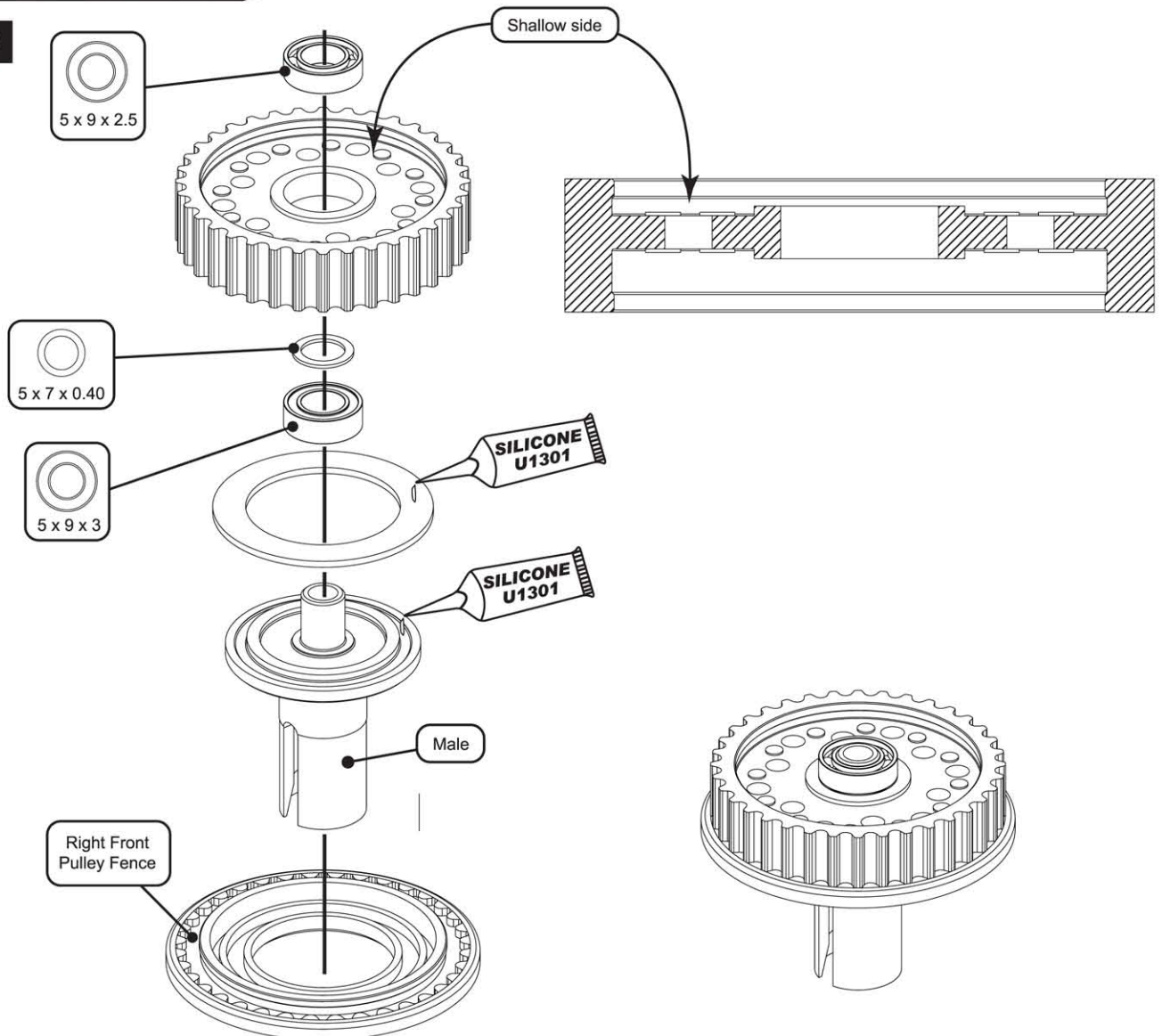
## Step 1

**NOTE:**  
The grooves in both the large and small washers face the ball race.



# Front Differential Rebuild

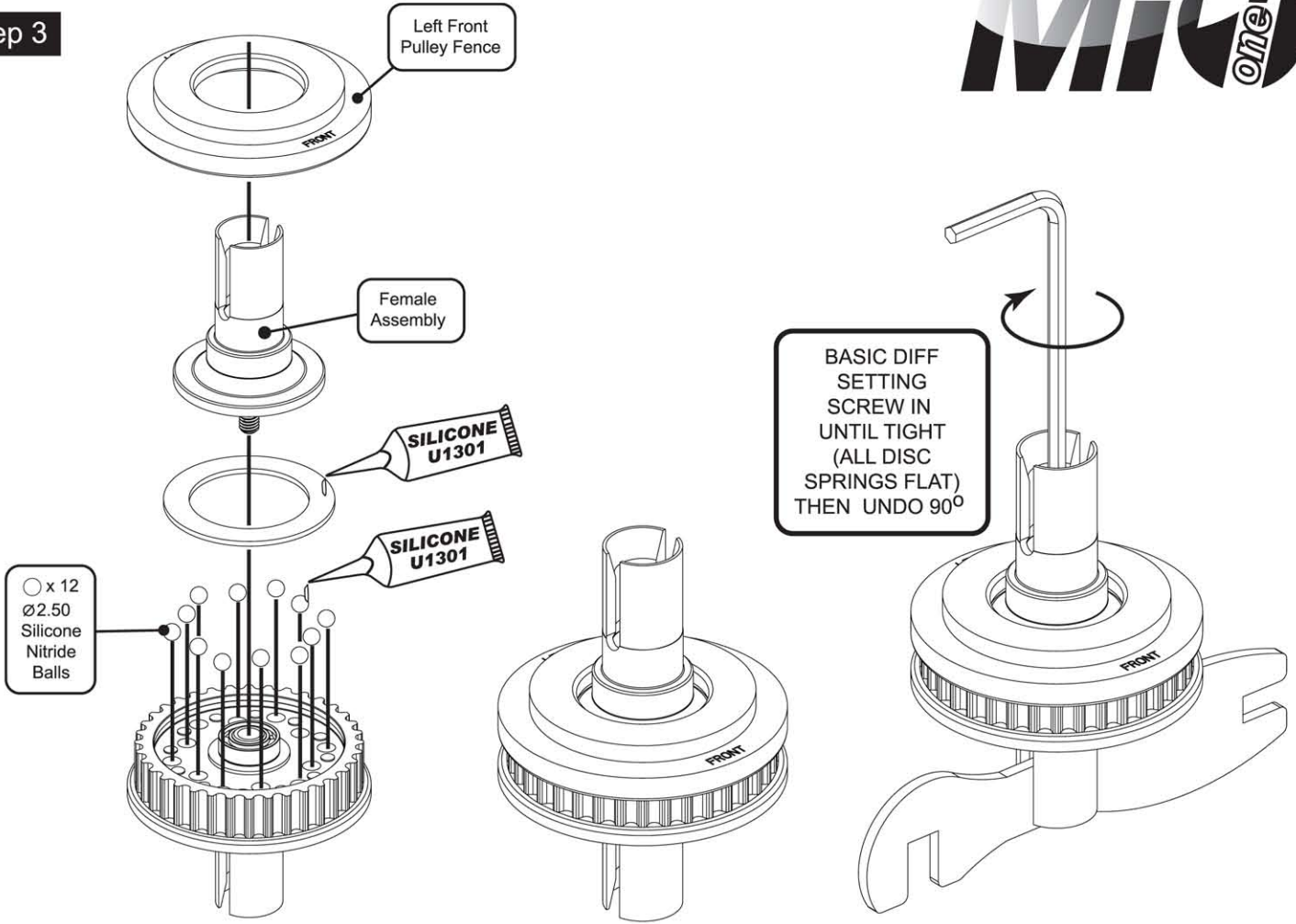
## Step 2



# Front Differential Rebuild

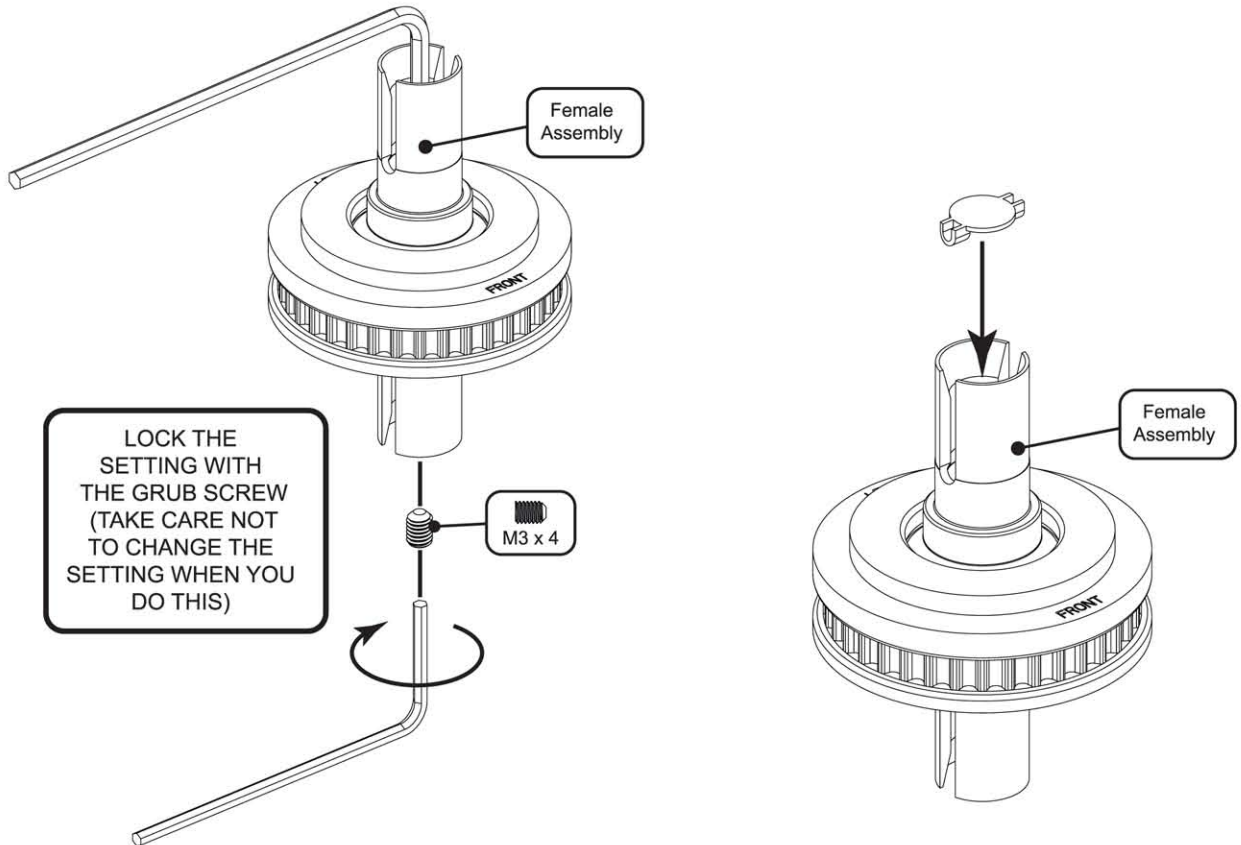


## Step 3



# Front Differential Rebuild

## Step 4



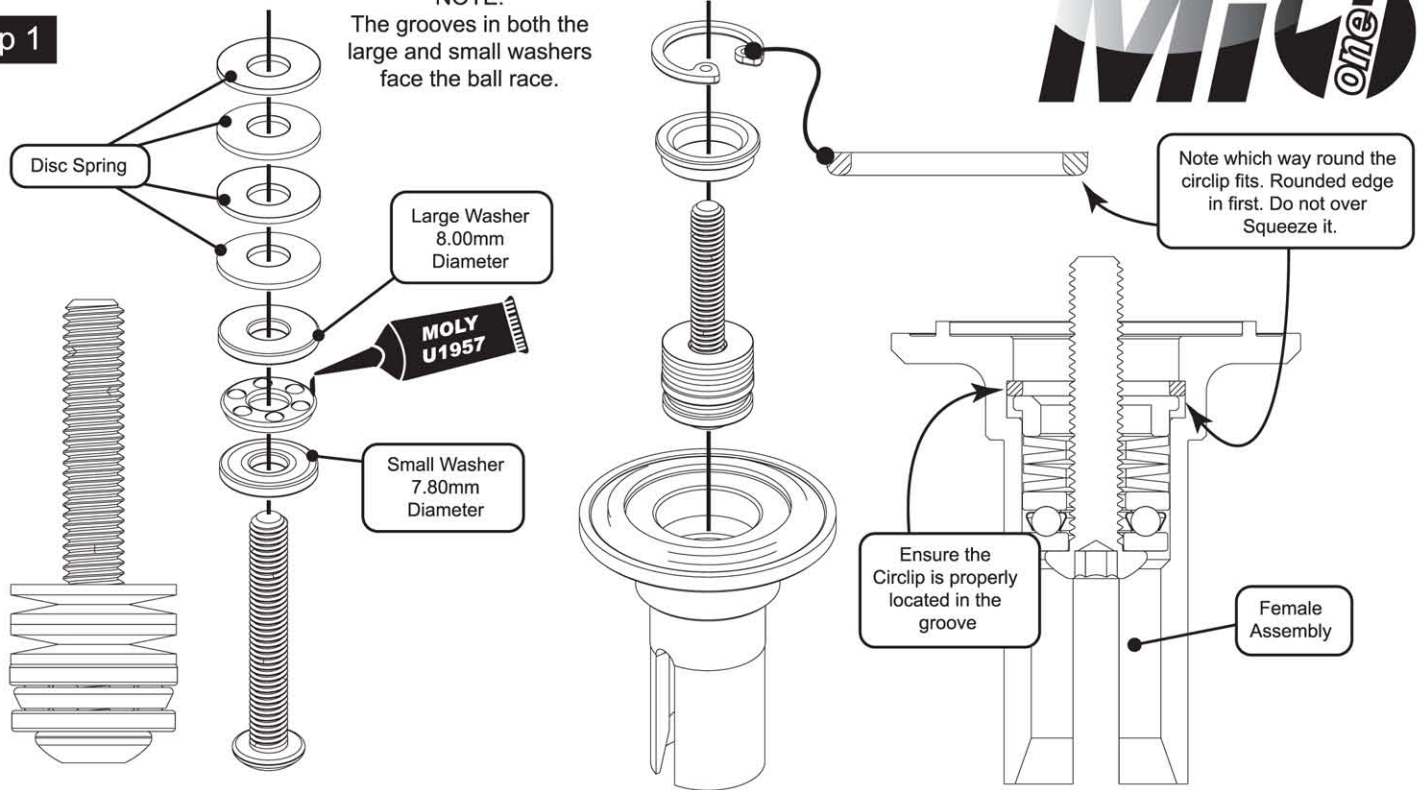
# Rear Differential Rebuild



## Step 1

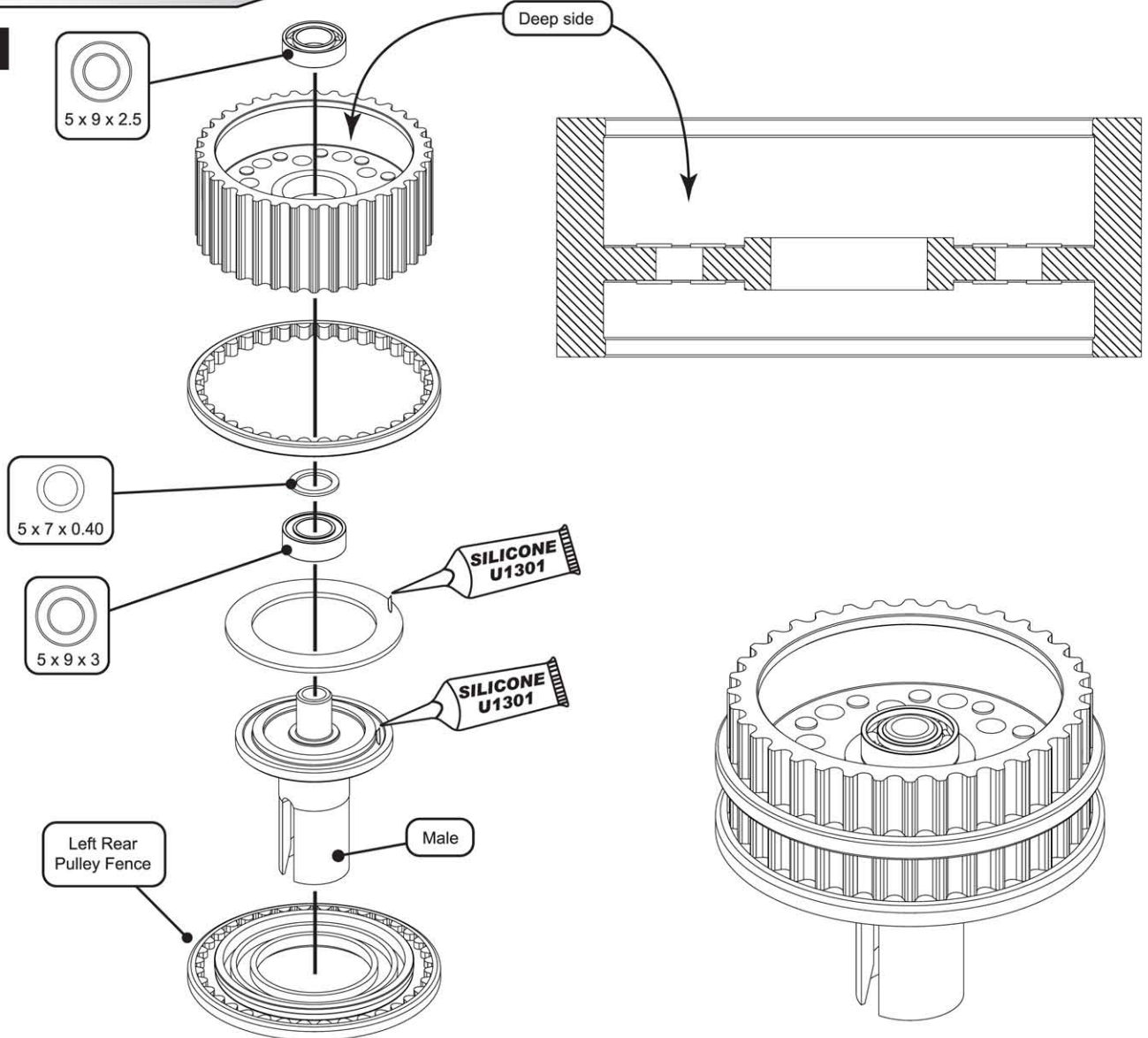
**NOTE:**

The grooves in both the large and small washers face the ball race.



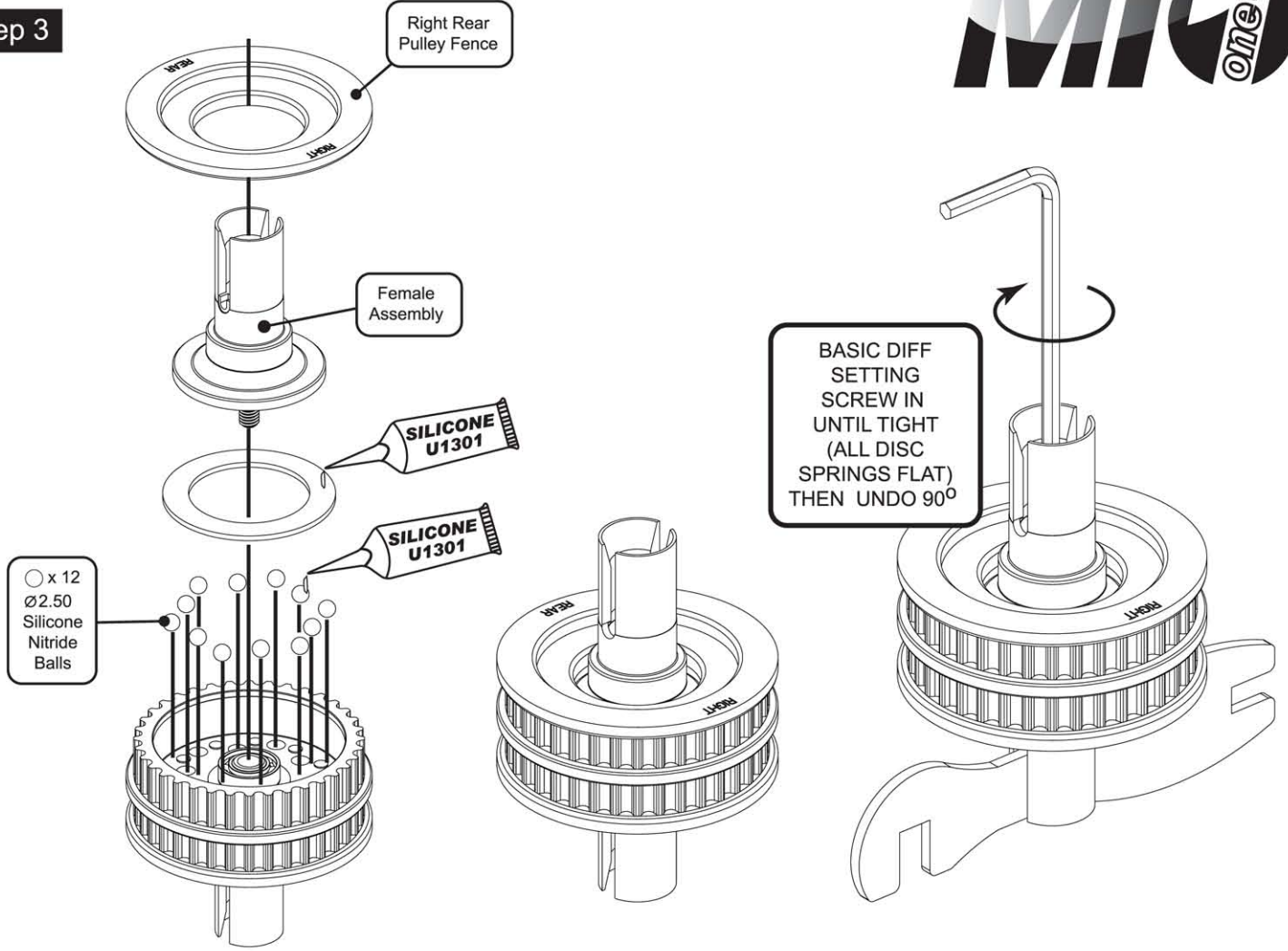
# Rear Differential Rebuild

## Step 2

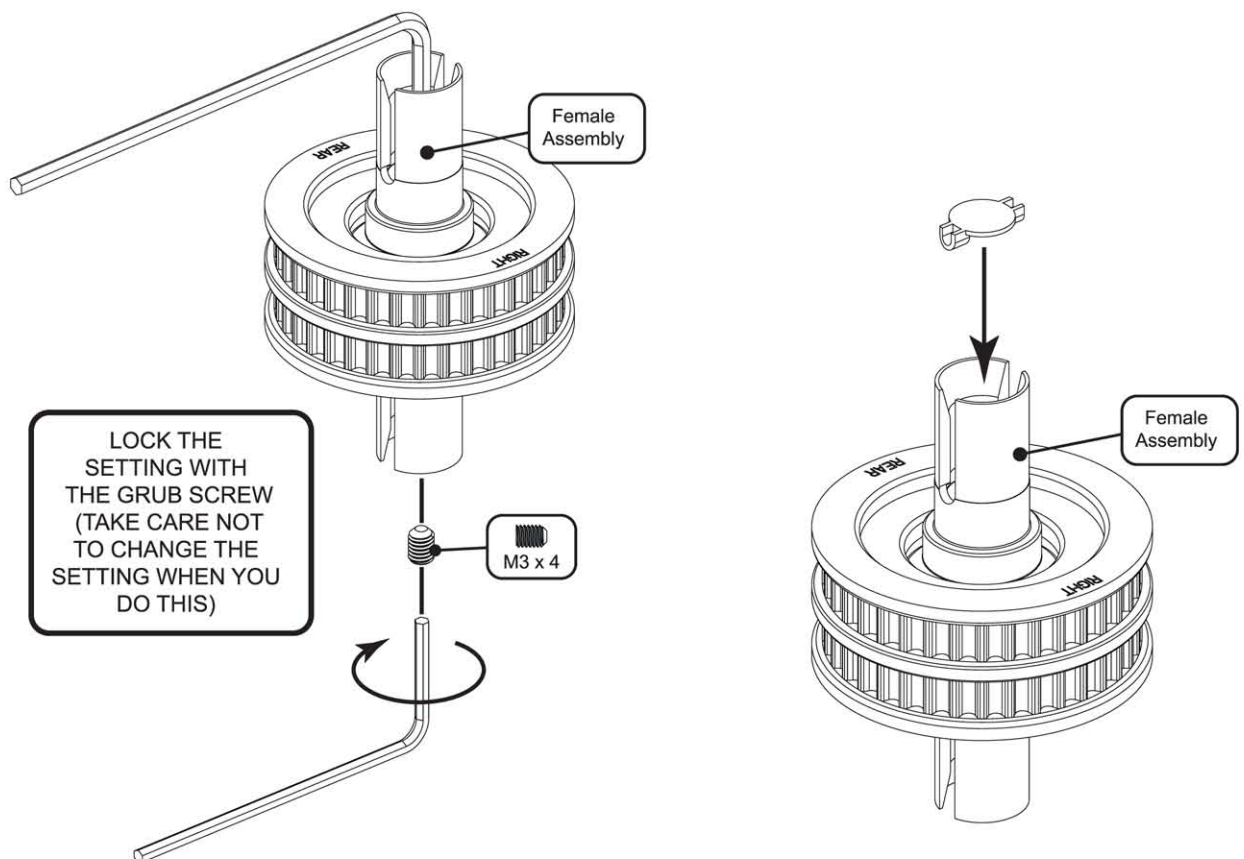




Step 3



Step 4



**KITS**

- K151 Mi-one-V2 - 4WD Touring Car Kit  
K152 Mi-one-V2 - 4WD Touring Car - Assembled

**BODY & DECALS**

- EC16283121 East Coast - Body; is250 190mm  
EC16283122 East Coast - Body; Euro-R 190mm  
EC16283123 East Coast - Body; 320si 190mm  
EC16283129 East Coast - Body; Evo9x 190mm  
EC162832D6 East Coast - Body; 350Z 190mm  
EC162832D8 East Coast - Body; RX7 190mm  
EC162832D9 East Coast - Body; S15 190mm  
EC168M609 East Coast Body; 2009 M-Speed 6 - 190mm  
EC168M609L ECLight Body; 2009 M-Speed 6 - 190mm  
EC38826B East Coast - Half Paint; Blue; Speed 6 190mm  
EC38826R East Coast - Half Paint; Red; Speed 6 190mm  
G887 Touring Wing Holder  
MR-WING MR33 Touring Wing  
MT010001 Montech - Nazda 2 Body Touring - 190mm  
MT011002 Montech - Nazda 3 Body Touring - 190mm  
MT012012 Montech - Nazda 4 Body Touring - 190mm  
MT013011 Montech - Stratos Body Touring - 190mm  
U4521 Decals - Mi-one-V2  
U5119 Touring Car Wing + 2 End Plates - Clear  
U5120 Touring Car Wing + 2 End Plates - Black  
U5121 Touring Car Wing + 2 End Plates - Carbon

**CHASSIS PARTS**

- U1042 Aerial Mount - Universal  
U119 Aerial Tube - Pack 4  
U2231 Servo Horns  
U2244 Servo Mounts  
U2456 Foam Bumper - Mi1  
U2480 Body Posts and R Clips (pk 4)  
U3806 Bumper and Body Mounts - Mi1  
U4252 LiPo Stop Mouldings - Mi5  
U4512 S1 Chassis - Mi-One V2  
U4513 S1 Topdeck - Mi-One V2  
U4514 S1 Rear Shock Mount - Mi-One V2  
U4515 S1 Front Shock Mount - Mi-One V2  
U4520 Instruction Manual - Mi-one-V2

**SUSPENSION**

- U1426 Pivot Pin; grooved 29mmx1/8 (pr)  
U1440 Pro Pin; grooved 1/8x25mm (pr)  
U1445 Steering Posts and Washer - 2000  
U1446 Servo Saver Metal Parts - 2000 Series  
U1481 Front Steering Post and Pivot Blocks  
U1877 Hi-Tensile Pivot Ball Screw - SST(pr)  
U1881 Steering Levers - SST2000  
U1884 Rear Wishbones - SST2000 (pr)  
U1919 Anti Roll Bar Set- SST2000 (pr)  
U2005 M4 Turnbuckles pr  
U2020 Front Wishbone; 7.5-13.5deg - SST (pr)  
U2251 Kwik Klip; 1/8x1.0 and 2.0mm  
U2384 Hub Carrier; Vert King Pin Option - SST  
U2450 Suspension Pivots and Blocks - Mi1  
U2467 Front Upper Wishbones - Mi1  
U2468 Rear Upper Wishbones - Mi1  
U2477 Pivot Pin; plain 57mmx1/8  
U2478 Pivot Pin; plain 45mmx1/8  
U2479 Suspension and Roll Bar Mount - Mi1  
U2667 Servo Saver Spring - Soft and Hard 2 pcs  
U2989 Ball Grippa Sockets (pk 8)  
U3495 Ball Studs; Ultra Short - pk 4  
U3496 Ball Studs; Short - pk 4  
U3497 Ball Studs; Long - pk 4  
U4221 Turnbuckle Adjuster HTT - 24mm - pr  
U4222 Turnbuckle Adjuster HTT - 39mm - pr

**TRANSMISSION**

- U1918 Spare Blades  
U2033 Driveshaft Bone; Plastic - Blade Type; small UJ pr  
U2150 Pin Axle and UJ - Plastic D/Shaft - SST  
U2152 Wheel Hex ; pin axle - SST (pk 4)

**TRANSMISSION CONT...**

- U2153 Spacers and Pins - pin drive - SST (4 sets)  
U232 86T Whisper Gear - 48 D.P.  
U2433 Front Belt - Mi1 Kit  
U2434 Rear Belt; Black 60T - Mi1  
U2445 Pulleys; Fr; Rr; 20t - Mi1  
U2446 Alloy Motor Mount - Mi1  
U2447 Layshaft - Mi1  
U2448 Belt Tension Idler Post - Mi1  
U2449 Diff and Layshaft Mount Set - Mi1  
U2451 Assembled Pro-Diff; Front - Mi1  
U2452 Assembled Pro-Diff; Rear - Mi1  
U2481 Pulley Fences - Mi1  
U2573 Pro-Diff Screw Set  
U3138 Alloy Diff Output; Male - Mi4  
U3139 Alloy Diff Output; Female - Mi4  
U3140 Diff Washer; ProSpec - Mi4/Mi5 (pr)  
U4511 Assembled driveshaft - Mi-One V2 pr

**BEARINGS, BALLS AND GREASE**

- G200 ZX1 - Microlube  
H1031 Bearing Blaster Aerosol 500ml  
U1248 Ball Bearing Set - Steering Post (2prs)  
U1300 Axle Grease - Pot  
U1301 Silicone Diff Lube - Pot  
U1410 Ball Bearing - 10x15x4 Yellow (pr)  
U1439 Ball Bearing - 5x9x3 Shielded. (pr)  
U1529 Ball Bearing - 4x8x3 Flanged (pr)  
U1954 Pro - Thrust Bearing  
U1957 Moly Grease - Pot  
U2148 Ball Bearing - 5x10x4 Shielded (pr)  
U2189 Wheel Bearings 8pcs 10x5x4+Shim Set  
U2459 Diff Balls; T/C 2.5mm pk12  
U2574 Ball Bearing - 5x9x2.5 Open (pr)  
U3019 Diff Balls; Ceramic Nitride 2.5mm (pk12)

**SHOCK ABSORBERS**

- RI-29000 Ride Shock Air Remover Long  
RI-RP-600 Ride Shock Air Remover  
U1310 Shock Mouldings-Vari Click Piston (pr)  
U1557 Ultra-Short Shock Rod (pr)  
U1558 Purple Ultra-Short Shock Body (each)  
U2143 One Piece Shock Pistons - 4 sets of 4  
U613 Spring Stop and Spacer Mouldings (pr)  
U835 Vari Shock Seal Pack (pr)

**SHOCK ABSORBERS (Mi5 SPEC)**

- U2997 Race Shock Rod; Ti-Nitride - 30mm (pr)  
U3937 Shock Mouldings  
U4253 Moulded Shock Top - Mi5 - pk4  
U4278 Shock Rebuild Kit - Mi5  
U4284 PTFE 3 Hole Piston - Mi5 - Pr  
U4285 Pro Shock Seal Blue - On Road - pk8  
U4300 Shock Seal Cap (Black) - Mi5 - 1pr  
U4301 Threaded Shock Collar (Black) - Mi5 - 1pr  
U4302 Ball Socket Short (Black) - Mi5 - pk4  
U4335 Shock Top ring - Mi5 - (pr)  
U4362 Small Bore Diaphragm - pk4  
U4400 Shock Body V2 - pr (pr)  
U4401 Assembled Shock V2 - Mi5 (pr)

**SPRINGS**

- G882 Spec-R Touring Spring Set-Soft 2.5-2.8  
G895 Spec-R Touring Spring - Soft 2.6  
G896 Spec-R Touring Spring - Soft 2.7  
G897 Spec-R Touring Spring - Soft 2.8  
MR33-SPRING B MR33 Spring Black, Extra Hard Pro Matched (2pcs)  
MR33-SPRING P MR33 Spring Purple, Hard Pro Matched (2pcs)  
MR33-SPRING R MR33 Spring Red, Medium Pro Matched (2pcs)  
MR33-SPRING S MR33 Spring Silver, Soft Pro Matched (2pcs)  
MR33-SPRING SET MR33 Ride Spring Set - Soft/Med/Hard/ExHard (4 pr)

**SPRINGS CONT....**

U1921	Spring Tuning Set - Ultra Short Touring (3 prs)
U1924	Spring; Blue Ultra Short 15 (pr)
U1925	Spring; Red Ultra Short 20 (pr)
U2827	Pro-Touring Springs - Yellow 23 lbs
U3245	Spring; Gold Ultra Short 25 (pr)
U4304	Spring 14Lb/in - White - Mi5 - 1pr
U4305	Spring 15Lb/in - Blue - Mi5 - 1pr
U4306	Spring 16Lb/in - Green - Mi5 - 1pr
U4307	Spring 17Lb/in - Red - Mi5 - 1pr
U4308	Spring 18Lb/in - Yellow - Mi5 - 1pr
U4309	Spring Set - Mi5 - 5pr

**SHOCK AND DIFF OIL**

CR200	CORE RC Silicone Oil - 100cSt - 60ml
CR201	CORE RC Silicone Oil - 150cSt - 60ml
CR202	CORE RC Silicone Oil - 200cSt - 60ml
CR203	CORE RC Silicone Oil - 250cSt - 60ml
CR204	CORE RC Silicone Oil - 300cSt - 60ml
CR205	CORE RC Silicone Oil - 350cSt - 60ml
CR206	CORE RC Silicone Oil - 400cSt - 60ml
CR207	CORE RC Silicone Oil - 450cSt - 60ml
CR208	CORE RC Silicone Oil - 500cSt - 60ml
CR209	CORE RC Silicone Oil - 550cSt - 60ml
CR210	CORE RC Silicone Oil - 600cSt - 60ml
CR211	CORE RC Silicone Oil - 700cSt - 60ml
CR212	CORE RC Silicone Oil - 800cSt - 60ml
CR213	CORE RC Silicone Oil - 900cSt - 60ml
CR214	CORE RC Silicone Oil - 1000cSt - 60ml
CR216	CORE RC Silicone Oil - 2000cSt - 60ml
CR217	CORE RC Silicone Oil - 3000cSt - 60ml
CR218	CORE RC Silicone Oil - 4000cSt - 60ml
CR219	CORE RC Silicone Oil - 5000cSt - 60ml
CR220	CORE RC Silicone Oil - 6000cSt - 60ml
CR221	CORE RC Silicone Oil - 7000cSt - 60ml
CR222	CORE RC Silicone Oil - 10000cSt - 60ml
CR223	CORE RC Silicone Oil - 20000cSt - 60ml
CR224	CORE RC Silicone Oil - 30000cSt - 60ml
CR225	CORE RC Silicone Oil - 40000cSt - 60ml
CR226	CORE RC Silicone Oil - 50000cSt - 60ml
CR227	CORE RC Silicone Oil - 100000cSt - 60ml
CR228	CORE RC Silicone Oil - 300000cSt - 60ml
CR229	CORE RC Silicone Oil - 12000cSt - 60ml
CR230	CORE RC Silicone Oil - 15000cSt - 60ml
G020	Pure Silicone Shock Oil - 20w
G025	Pure Silicone Shock Oil - 25w
G030	Pure Silicone Shock Oil - 30w
G035	Pure Silicone Shock Oil - 35w
G040	Pure Silicone Shock Oil - 40w
G045	Pure Silicone Shock Oil - 45w
G050	Pure Silicone Shock Oil - 50w
G055	Pure Silicone Shock Oil - 55w
G060	Pure Silicone Shock Oil - 60w
G070	Pure Silicone Shock Oil - 70w
G080	Pure Silicone Shock Oil - 80w
MR33-OIL	MR33 Oil Bag L260 x W160 x H180mm

**SPEED PACKS**

CR024	CORE RC - Serrated M4 Steel Wheel Nut pk4
CR035	CORE RC - Serrated Alloy M4 Nuts; Blue pk 4
CR036	CORE RC - Serrated Alloy M4 Nuts; Violet pk 4
CR060	Small Body Clip 1/10 - Gloss Black (8)
CR061	Small Body Clip 1/10 - Silver (8)
CR062	Small Body Clip 1/10 - Gold (8)
CR063	Small Body Clip 1/10 - Fluorescent Yellow (8)
CR064	Small Body Clip 1/10 - Fluorescent Green (8)
CR065	Small Body Clip 1/10 - Fluorescent Red (8)
CR066	Small Body Clip 1/10 - Metallic Green (8)
CR067	Small Body Clip 1/10 - Metallic Red (8)
CR069	Small Body Clip 1/10 - Metallic Purple (8)
CR071	Big Body Clip 1/10 - Silver (8)
CR072	Big Body Clip 1/10 - Gold (8)
CR074	Big Body Clip 1/10 - Fluorescent Green (8)
CR076	Big Body Clip 1/10 - Metallic Green (8)
CR077	Big Body Clip 1/10 - Metallic Red (8)
CR078	Big Body Clip 1/10 - Metallic Blue (8)

**SPEED PACKS CONT....**

CR079	Big Body Clip 1/10 - Metallic Purple (8)
CR081	Extra Long Body Clip 1/10 - Silver (6)
CR082	Extra Long Body Clip 1/10 - Gold (6)
CR083	Extra Long Body Clip 1/10 - Fluorescent Yellow (6)
CR084	Extra Long Body Clip 1/10 - Fluorescent Green (6)
CR085	Extra Long Body Clip 1/10 - Fluorescent Red (6)
CR086	Extra Long Body Clip 1/10 - Metallic Green (6)
CR087	Extra Long Body Clip 1/10 - Metallic Red (6)
CR088	Extra Long Body Clip 1/10 - Metallic Blue (6)
CR089	Extra Long Body Clip 1/10 - Metallic Purple (6)
CR196	Core RC - Serrated Alloy M4 Nuts - Black - pk4
U1309	SPEED PACK-Hi-Tensile M3x20 CAP Head
U1547	SPEED PACK - M3 Nuts
U1548	SPEED PACK - M3 Washers
U1549	SPEED PACK - M4 Nuts and Washers
U1550	SPEED PACK - Socket Wrenches (pk3)
U1551	SPEED PACK - E Clips -2 x 8pcs
U1552	SPEED PACK - R Clips
U1606	SPEED PACK - Servo Tape - 30pk
U1633	SPEED PACK - Small Pins (pk)
U1960	SPEED PACK - O Rings; Various
U2128	SPEED PACK - Grub-Set Screws M3 M4
U2135	M4 Nyloc Wheel Nut - Purple Alloy (pk4)
U2184	SPEED PACK - DiscSprings+DrivePins
U2187	SPEED PACK - M3 Nyloc Nut - Purple Alloy (pk8)
U2356	SPEED PACK - M3x16-30 Csk Screws (pk12)
U2589	SPEED PACK - Torx M3x8 Csk
U2590	SPEED PACK - Torx M3x10 Csk
U2591	SPEED PACK - Torx M3x12 Csk
U2638	SPEED PACK - Torx M3x16mm Csk Hd
U2641	SPEED PACK - Torx M3x8mm Pan Hd
U2642	SPEED PACK - Torx M3x10mm Pan Hd
U2685	SPEED PACK - Torx M3x6 Csk
U2760	SPEED PACK - M3 Button Hd; 4 to 20
U2810	M4 Nyloc Wheel Nut - Red Alloy (pk4)
U2811	M4 Nyloc Wheel Nut - Blue Alloy (pk4)
U2812	M4 Nyloc Wheel Nut - Black Alloy (pk4)
U2813	M4 Nyloc Wheel Nut - Gold Alloy (pk4)
U2840	SPEED PACK - Body Washers (pk 12)
U2988	SPEED PACK - M3 Csk Washers - Purple Alloy (pk10)
U3021	SPEED PACK - M3x6 Csk Allen Hi-T
U3022	SPEED PACK - M3x8 Csk Allen Hi-T
U3023	SPEED PACK - M3x10 Csk Allen Hi-T
U3024	SPEED PACK - M3x12 Csk - M3 x 10 Button Screws
U3572	SPEED PACK - M3x14 Grub Srew pk4
U4155	SPEED PACK - M3 Csk Washers - Black Alloy (pk10)
U4210	SPEED PACK - Pinion Grub Screw Set pk10
U4351	SPEED PACK - Shims 3.2x6x0.1mm - pk8

**SPEED SECRETS**

CR110	Alloy Servo Arm; Futaba Purple
CR111	Alloy Servo Arm; KO/Sanwa Purple
CR112	Alloy Servo Arm; Futaba Blue
CR113	Alloy Servo Arm; KO/Sanwa Blue
CR117	Alloy Servo Arm; Futaba Black
CR118	Alloy Servo Arm; KO/Sanwa Black
CR280	Ti Pro Ball Studs - Short - pair
CR282	Ti Ball Studs - Long - pair
U1572	Titanium Turnbuckle; purple - 39mm (pr)
U1576	Titanium Pivot Pin; 25mm (pr)
U1577	Titanium Pivot Pin; purple - 29mm (pr)
U1894	83T Whisper Gear - 48 D.P.
U2053	Titanium Turnbuckle; purple - 25mm (pr)
U2163	Alloy Hub Carriers; pin axle - Fusion (pr)
U2252	Alloy Gear Adaptor-Schum and Kimbro
U230	92T Whisper Gear - 48 D.P.
U231	89T Whisper Gear - 48 D.P.
U2443	C/F Front Shock Mount - Mi-One
U2460	20T Alloy Pulley
U2462	Alloy Diff Mount - Mi1
U2463	Alloy Layshaft Mounts - Mission pr

**SPEED SECRETS CONT....**

U2464 Titanium Pivot Pin; purple - 57mm (pr)  
 U2465 Titanium Pivot Pin; purple - 45mm (pr)  
 U2482 Front Belt; Grey -Mi1  
 U2483 Rear Belt; Grey Stock 27t  
 U2845 Output; HD One Way Opt 1&2 - Mi2 1pc  
 U3253 CNC Overdrive Pulley; Fits Spool - 35T  
 U3254 CNC Overdrive Pulley; Fits One Way - 35T  
 U3265 Steel CV Drive Shafts - Fusion 28 (pr)  
 U3532 Hub and One Ways; Option 1 Trans - Mi4  
 U3805 C/F Rear Shock Mount - Mi-One  
 U3808 Spool; Complete Assembly - Mi1  
 U3809 Spool Axle - Mi1 - Must be used with U3265  
 U3811 HD Front One Way Assembly - Mi1  
 U4274 Pro Ball Stud Short - pk4  
 U4275 Pro Ball Stud Long - pk4  
 U4516 C/F Chassis - Mi-One V2

**PINIONS**

CR4815 Pinion Gear 48DP 15T (7075 Hard)  
 CR4816 Pinion Gear 48DP 16T (7075 Hard)  
 CR4817 Pinion Gear 48DP 17T (7075 Hard)  
 CR4818 Pinion Gear 48DP 18T (7075 Hard)  
 CR4819 Pinion Gear 48DP 19T (7075 Hard)  
 CR4820 Pinion Gear 48DP 20T (7075 Hard)  
 CR4821 Pinion Gear 48DP 21T (7075 Hard)  
 CR4822 Pinion Gear 48DP 22T (7075 Hard)  
 CR4823 Pinion Gear 48DP 23T (7075 Hard)  
 CR4824 Pinion Gear 48DP 24T (7075 Hard)  
 CR4825 Pinion Gear 48DP 25T (7075 Hard)  
 CR4826 Pinion Gear 48DP 26T (7075 Hard)  
 CR4827 Pinion Gear 48DP 27T (7075 Hard)  
 CR4828 Pinion Gear 48DP 28T (7075 Hard)  
 CR4829 Pinion Gear 48DP 29T (7075 Hard)  
 CR4830 Pinion Gear 48DP 30T (7075 Hard)  
 CR4831 Pinion Gear 48DP 31T (7075 Hard)  
 CR4832 Pinion Gear 48DP 32T (7075 Hard)  
 CR4833 Pinion Gear 48DP 33T (7075 Hard)  
 CR4834 Pinion Gear 48DP 34T (7075 Hard)  
 CR4835 Pinion Gear 48DP 35T (7075 Hard)  
 CR4836 Pinion Gear 48DP 36T (7075 Hard)  
 CR4837 Pinion Gear 48DP 37T (7075 Hard)  
 CR4838 Pinion Gear 48DP 38T (7075 Hard)  
 CR4839 Pinion Gear 48DP 39T (7075 Hard)  
 CR4840 Pinion Gear 48DP 40T (7075 Hard)  
 MR-PINION MR33 Pinion Gear Holder  
 U3414 Pinion; Hard Alloy 48dp - 14T  
 U3415 Pinion; Hard Alloy 48dp - 15T  
 U3416 Pinion; Hard Alloy 48dp - 16T  
 U3417 Pinion; Hard Alloy 48dp - 17T  
 U3418 Pinion; Hard Alloy 48dp - 18T  
 U3419 Pinion; Hard Alloy 48dp - 19T  
 U3420 Pinion; Hard Alloy 48dp - 20T  
 U3421 Pinion; Hard Alloy 48dp - 21T  
 U3422 Pinion; Hard Alloy 48dp - 22T  
 U3423 Pinion; Hard Alloy 48dp - 23T  
 U3424 Pinion; Hard Alloy 48dp - 24T  
 U3425 Pinion; Hard Alloy 48dp - 25T  
 U3426 Pinion; Hard Alloy 48dp - 26T  
 U3427 Pinion; Hard Alloy 48dp - 27T  
 U3428 Pinion; Hard Alloy 48dp - 28T  
 U3429 Pinion; Hard Alloy 48dp - 29T  
 U3430 Pinion; Hard Alloy 48dp - 30T  
 U3431 Pinion; Hard Alloy 48dp - 31T  
 U3432 Pinion; Hard Alloy 48dp - 32T  
 U3433 Pinion; Hard Alloy 48dp - 33T  
 U3434 Pinion; Hard Alloy 48dp - 34T  
 U3435 Pinion; Hard Alloy 48dp - 35T  
 U3436 Pinion; Hard Alloy 48dp - 36T  
 U3437 Pinion; Hard Alloy 48dp - 37T  
 U3438 Pinion; Hard Alloy 48dp - 38T  
 U3439 Pinion; Hard alloy 48dp - 39T  
 U3440 Pinion; Hard Alloy 48dp - 40T  
 U4441 Pinion; Hard Alloy 48dp - 41T  
 U4442 Pinion; Hard Alloy 48dp - 42T  
 U4443 Pinion; Hard Alloy 48dp - 43T

**PINIONS CONT....**

U4444 Pinion; Hard Alloy 48dp - 44T  
 U4445 Pinion; Hard Alloy 48dp - 45T

**TOOLS**

CR044 CORE RC - Curved Body Scissors  
 CR045 CORE RC - Straight Body Scissors  
 CR100 Shock Shaft Pliers - Purple  
 CR101 Shock Shaft Pliers - Black  
 CR102 Magnetic Parts Tray - Purple  
 CR103 Magnetic Parts Tray - Black  
 CR148 CORE RC - Polybutler Pit Box; Black  
 CR233 Piston Drilling Kit-1.1, 1.2, 1.3, 1.4, 1.5mm  
 ED120115 Ball Allen Wrench 1.5mm x 120mm  
 ED180001 Graphite Flat Set-Up Board for 1/12 & 1/10 On-Road  
 ED181001 Chassis Droop Gauge Blocks 10mm for 1/10 - (2)  
 ED181004 Chassis Droop Gauge 3-10mm for 1/10 Cars (10mm)  
 ED181007 Ultra-Fine Chassis Droop Gauge 4.0-6.6mm  
 ED181008 Ride Height Gauge - 0mm - 15mm (Beveled)  
 ED181009 Quick Downstop Gauge Tool - 1.0 - 6.5mm  
 ED181012 Alu Set-Up Wheels (4)  
 ED190012 Reamer with Protection Cap for Body - 14mm  
 ED290801 Specialized Tool Set for 1/10 EP with Alloy Case  
 H1026 Ride Height Gauge; Purple Alloy; 0-10mm  
 H1027 Droop Gauge Set; Purple Alloy - Touring  
 H1032 Alloy Camber Gauge - 1/10th  
 H1055 GT85 Lube and Clean Aerosol 400ml  
 H1056 Loctite 243 Thread Lock  
 H1057 Loctite Precision Super Glue - 5g  
 MR-GAUGE MR33 Ride Height & Droop Gauge  
 NR95120 Ultimate Cleaner Spray  
 U2075 Camber and Ride Height Gauges - C/C  
 U2100 Set Up Wheels;Camber and Toe In-SST  
 U2789 Schumacher Hex Driver - 1.5mm  
 U2790 Schumacher Hex Driver - 2.0mm  
 U2791 Schumacher Hex Driver - 2.5mm  
 U2794 Schumacher Driver - T10 TORX  
 U2795 Schumacher M3 Nut Driver  
 U2796 Schumacher M4 Nut Driver  
 U2818 Schumacher Body Reamer  
 U3582 Precision Balance Pivot Set  
 U4229 Steel Spanner - 5.5mm/3.9mm  
 U4315 C/F Lipo/Roll Bar Block Tool - Mi5

**1-10 TOURING WHEELS**

NR95075NOSRAM VTEC Wheelsticker Racing 10 spoke  
 NR95076NOSRAM VTEC Wheelsticker Multi spoke  
 U1932 Wheel; 5 spoke 25mm - White (Pk4)  
 U1933 Wheel; 5 spoke 25mm - Black (Pk4)  
 U1934 Wheel; 5 spoke 25mm - Satin (Pk4)  
 U1935 Wheel; 5 spoke 25mm - Chrome (Pk4)  
 U2032 Wheel; 5 sp 25mm +5mm - Gold (pr) (Pk4)  
 U2170 Wheel; 12 spoke 25mm - White (Pk4)  
 U2171 Wheel; 12 spoke 20mm - White (Pk4)  
 U2173 Wheel; 5 spoke 25mm - Purple Chrome (Pk4)  
 U2296 Wheel; Dish 25mm - White (Pk4)  
 U2300 Wheel; 5 sp 25mm - Gold (pr) (Pk4)  
 U2366 Wheel; 12 spoke 24mm - White (Pk4)  
 U2393 Wheel; 12 spoke 24mm - Black(Pk4)  
 U2500 Rev-Lite; 24mm - White (Pk4)  
 U2777 Rev-Lite; Flex 24mm - White (Pk4)  
 U3792 Rev-Lite wheel Std; 20mm - White (Pk4)

**1-10 TYRES AND INSERTS**

NR95031VTEC CPX; Pre-Glued Carpet (4 pcs.)  
 NR95035VTEC 33X; Pre-Glued Asphalt (4 pcs.)  
 NR95040VTEC G32 Tyres - Pre-Glued Asphalt - pk4  
 NR95041VTEC G36 Tyres - Pre-Glued Asphalt pk4  
 NR95055VTEC Rain Dunlop D20 Radial D20 pr  
 U6623 SST Mini Pins 24/25 - Blue (pr)  
 U6624 SST Mini Pins 24/25 - Yellow (pr)  
 U6627 SST Foam Tyre Insert - 24/25 Hard (pr)  
 U6628 SST Foam Tyre Insert - 24/25 Comp (pr)

**1-10 TYRES AND INSERTS CONT....**

U6629 SST Rally 24/25 - Yellow (pr)  
 U6630 SST Rally 24/25 - White (pr)  
 U6635 SST Foam Tyre Insert - 20 Hard (pr)  
 U6670 SST Mini Pins 20 - Blue (pr)  
 U6671 SST Mini Pins 20 - Yellow (pr)  
 U6672 SST Belted Slick 25 - White (pr)  
 U6690 SST Carpet Dragon 24/25mm (pr)  
 U6695 Moulded LP Insert Orange X-Soft (pr)  
 U6699 SST LP24 Foam Insert;Med Blk (pr)  
 U6714 Moulded CP Insert Aqua - Soft (pr)  
 U6716 SST Mini Pins 24/25 - Green (pr)  
 U6717 SST Mini Pins 20 - Green (pr)  
 U6758 Moulded Insert; Yellow - Touring (pr)  
 U6764 JB Foam Inserts (pr)  
 U6780 Moulded Insert: Red - Touring (pr)

**SOREX - TOURING CAR TYRES**

XCO-20R Sorex Competition Tyre - 20R  
 XCO-24R Sorex Competition Tyre - 24R  
 XCO-28R Sorex Competition Tyre - 28R  
 XCO-32R Sorex Competition Tyre - 32R  
 XCO-36R Sorex Competition Tyre - 36R  
 XCO-40R Sorex Competition Tyre - 40R  
 XG-24RY Sorex Glued 24R+Yellow+Revlite24 pk4  
 XG-28JB Sorex Glued 28R+JB+Revlite24 pk4  
 XG-32JB Sorex Glued 32R+JB+Revlite24 pk4  
 XG-32RY Sorex Glued 32R+Yellow+Revlite24 pk4 BRCA  
 XG-36SR Sorex Glued 36R+Red+Stiff Light pk4 Worlds 2012  
 XG-36SYSorex Glued 36R+Yellow+Stiff Light pk4  
 XG-40SYSorex Glued 40R+Yellow+Stiff Light Pk4-Euros 2014  
 XG-RAINShimizu D01J Wet Pre-Glued - pk4 Worlds 2012

**TYRE ADDITIVE**

C180101 CS Competition Grip Additive  
 C6400 CS High Grip Additive  
 C6431 CS Tire Clean Fix  
 C6440 CS Tire MAX Grip  
 C6460 CS Speed Grip Carpet  
 MR0001 Marc Rheinard Outdoor Additive  
 MR0001 Marc Rheinard Outdoor Additive  
 NR96010NOSRAM Traction additive carpet  
 NR96020NOSRAM Traction additive asphalt  
 SXT00030 SXT 3.0 Traction Compound

**TYRE WARMERS**

C150101 CS - Tyre Warmers 7.2-15v  
 CMMMTW4 CS Tyre Warmer Cups  
 G862 Kimwipes S-200 - Tyre Warmer Tissue  
 SK-600064-01 Racing Star Tyre Warmers  
 CR289 CORE RC Tyre Warmer Set

**BATTERIES**

CR005 CORE RC Battery Tape - Black  
 CR006 CORE RC Battery Tape - Blue  
 CR007 CORE RC Silicone Wire 12g - Red/Black 2x50cm  
 CR008 CORE RC RED Connector with 2x4mm Tubes  
 CR009 CORE RC RED Connector with 2x4mm Males  
 CR037 CORE RC - Battery Tape - Purple  
 CR043 CORE RC - Silver X-Weights 16pcs  
 CR050 CORE RC Silicone Wire 12g - Red 1 Metre  
 CR051 CORE RC Silicone Wire 12g - Black 1 Metre  
 CR052 CORE RC Silicone Wire 12g - Blue 1 Metre  
 CR053 CORE RC Silicone Wire 12g - Red 50 Metre Reel  
 CR054 CORE RC Silicone Wire 12g - Black 50 Metre Reel  
 CR055 CORE RC Silicone Wire 12g - Blue 50 Metre Reel  
 CR056 Balance Charge Lead; JST-XHR to 2mm Male 7.4v  
 CR058 CORE RC - Black X-Weights 16pcs  
 CR059 CORE RC - Safe Charge Pouch 23x30cm  
 CR115 CORE RC Silicone Wire 12g - Red/Black/Blue 3x50cm  
 CR119 Heatshrink 1.5mm dia Black - 20pcs  
 CR120 Heatshrink 2.0mm dia Black - 20pcs  
 CR121 Heatshrink 3.0mm dia Black - 20pcs  
 CR122 Heatshrink 4.0mm dia Black - 20pcs  
 CR123 Heatshrink 5.0mm dia Black - 20pcs  
 CR124 Heatshrink 6.0mm dia Black - 20pcs

**BATTERIES CONT....**

CR125 Heatshrink 6.0mm dia Red - 20pcs  
 CR127 Heatshrink 8.0mm dia Black - 12pcs  
 CR128 Heatshrink 10.0mm dia Black - 12pcs  
 CR129 Heatshrink 12.0mm dia Black - 12pcs  
 CR158 CORE RC - 4000mAhr 7.4v 20C/40C LiPo  
 CR159 Core RC - Battery Tape - Orange  
 CR170 CORE RC Lipo Locker - 17 x 8 x 7cm  
 H1039 Battery Tape - Natural 50mx17mm  
 H1046 T Connector; Red 2 Way - Male and Female  
 H1047 T Connector; Black 2 Way - Male and Female  
 H1048 T Connector; Red Sockets - pk4  
 H1049 T Connector; Black Sockets - pk4  
 IPBG2S4800V9 Intellect Shorty Lipo 4800mAh 2S- 90C- 7.4V G5  
 IPCC2S3500V9 Intellect Lipo 3500mAh 2S- 90C- 7.4V G4  
 IPCC2S6000V9 Intellect Lipo 6000mAh 2S- 90C- 7.4V- 300g G5  
 IPCC2S7600V9 Intellect Lipo 7600mAh 2S- 90C- 7.4V- 330g G5  
 IPG4M Intellect - G4 Male Pin 4mm connector (2)  
 IPG5M Intellect - G5 Male Pin 5mm connector (2)  
 MR-SB MR33 Lipo Bag  
 NR99955Hardcase 30C Lipo Power Pack 3200 - 7.4V EPH  
 NR99956Hardcase 30C Lipo Power Pack 4600 - 7.4V EPH  
 NR99957Nosram 30C Lipo Power Pk 3800-7.4V-E/Plug H/c  
 TP2700-2SSR35D Thunder Power Lipo 2700mAh 2S - 7.4V -35C/70C  
 TP3300-2SPR65D Thunder Power Lipo 3300mAh 2S - 7.4V - 65C/130C  
 TP3300-2SSR35D Thunder Power Lipo 3300mAh 2S - 7.4V - 35C/70C  
 TP3800-2SPR65S Thunder Power Lipo 3800mAh 2S shorty - 65C/130C  
 TP4300-2SPR65D Thunder Power Lipo 4300mAh 2S - 7.4V - 65C/130C  
 TP4300-2SSR35D Thunder Power Lipo 4300mAh 2S - 7.4V - 35C/70C  
 TP4P10E Thunder Power 4 Pin Balance connector 10Extension"  
 TP4P8 TP 4 Pin Balance Connector 8 Colour Coded Wires"  
 TP5300-2SPR65B Thunder Power Lipo 5300mAh 2S - 7.4V - 65C/130C  
 TP5300-2SPR65D Thunder Power Lipo 5300mAh 2S - 7.4V - 65C/130C  
 TP5400-2SSR35D Thunder Power Lipo 5400mAh 2S - 7.4V - 35C/70C  
 TP6000-2SPR65B Thunder Power Lipo 6000mAh 2S - 7.4V - 65C/130C  
 TP6600-2SSR35D Thunder Power Lipo 6600mAh 2S - 7.4V - 35C/70C  
 TP6P10E Thunder Power 6 Pin Balance Connector 10Extension"  
 TP6P13 TP 6 Pin Balance Connector 13 Colour Coded Wires"  
 TP6P4PE Thunder Power 6 Pin Adaptor/Extension  
 TP8000-2SSR35D Thunder Power Lipo 8000mAh 2S - 7.4V - 35C/70C  
 TPLSBL Thunder Power Lipo Charge Bag Large 9 x 12"  
 TPLSBS Thunder Power Lipo Charge Bag Small 7 x 8" x 5"

**BRUSHLESS ACCESSORIES**

HW2360800 XERUN - Sensor Cable - 80mm  
 HW2361200 XERUN - Sensor Cable - 120mm  
 HW30502000014 XERUN-EZRUN-Multifunction LCD Program Box  
 HW30860200010 XERUN Competition Fan-2510SH-5v/0.16A for 2s  
 HW81030020 EZRUN Combo B1 - 13t 3000kv+ EZRun 35A SL  
 HW86020010 XERUN-EZRUN - Program Card for ESC  
 HW86030030 XERUN - Capacitors  
 HW86080120 EZRUN - Heat Sink with Fan for 3660,3674 motors  
 HW86080130 EZRUN - Heat Sink with Fan for 4465 motors  
 HW86080150 XERUN Large Fan 3010HB-5V/0.18A for 2s  
 MR33-MH Motor Heat Sink  
 MR-FAN PROTECTOR MR33 25mm Fan Protector  
 NR90639Pure Evo Spec Racing 1S Lipo Tuning Rotor  
 NR92500USB Bridge - Speedo Firmware Update Device  
 NR92501USB Bridge Spec2 - Speedo Firmware Update Device  
 NR92512Cooling Fan; Low Profile - Include Mounting Screws  
 NR92515Nosram Motor Fan (30x30) + Alum Mnt Clamp  
 SP000007 Muti LED Program Card Version 2.0  
 SP000008 Reventon Blue-Tooth" Module"  
 SP000009 Reventon WiFi" Module"  
 SP000029 Sensor Unit +20 Timing"for V3.0 Motor-Green Color"  
 SP000034 Sensor Unit +10 Timing" for V3.0 Motor-Red Color"  
 SP000041 Sensor Unit for V3.0 - 4.0T/5.0T Motor  
 SP000059 Sensor Unit +40 Timing for V3.0 Motor Blue  
 SP138MS105 10.5R Stator for Competition Version 3.0 Motor  
 SP138MS135 13.5R Stator for Competition Version 3.0 Motor  
 SP138MS175 17.5R Stator for Competition Version 3.0 Motor  
 SP138MS215 21.5R Stator for Competition Version 3.0 Motor

**BRUSHLESS ESC and MOTOR COMBO**

SP000193 Reventon-R ESC-2S-Silver Comp V3.0-10.5R Combo  
 SP000194 Reventon-R ESC-2S-Silver Comp V3.0-13.5R Combo  
 SP000195 Reventon-R ESC-2S-Silver Comp V3.0-17.5R Combo  
 SP000200 Reventon Stock Club Race 10.5 Combo Comp V3 Motor  
 SP000201 Reventon Stock Club Race 13.5 Combo Comp V3 Motor  
 SP000202 Reventon Stock Club Race 17.5 Combo Comp V3 Motor  
 SP000203 Reventon Stock Club Race 21.5 Combo Comp V3 Motor  
 SP000208 Reventon Stk Clb Rce 13.5R Combo V3 Fix Tmng Motor  
 SP000209 Reventon Stk Clb Rce 17.5 Combo V3 Fix Tmng Motor  
 SP000895 Reventon-S ESC 2S Comp V3.0-9.5R Combo  
 SP000896 Reventon-S ESC 2S Comp V3.0-10.5R Combo  
 SP000897 Reventon-S ESC 2S Comp V3.0-13.5R Combo  
 SP000898 Reventon-S ESC 2S Comp V3.0-17.5R Combo  
 SP000899 Reventon-S ESC 2S Comp V3.0-21.5R Combo  
 SP001030 Reventon Pro V1.1 ESC Comp V3.0-4.5R Combo  
 SP001031 Reventon Pro V1.1 ESC Comp V3.0-5.0R Combo  
 SP001032 Reventon Pro V1.1 ESC Comp V3.0-5.5R Combo  
 SP001033 Reventon Pro V1.1 ESC Comp V3.0-6.0R Combo  
 SP001034 Reventon Pro V1.1 ESC Comp V3.0-6.5R Combo  
 SP001035 Reventon Pro V1.1 ESC Comp V3.0-7.5R Combo  
 SP001036 Reventon Pro V1.1 ESC Comp V3.0-8.5R Combo  
 SP001037 Reventon Pro V1.1 ESC Comp V3.0-9.5R Combo  
 SP001038 Reventon Pro V1.1 ESC Comp V3.0-10.5R Combo  
 SP001039 Reventon Pro V1.1 ESC Comp V3.0-13.5R Combo  
 SP001040 Reventon Pro V1.1 ESC Comp V3.0-17.5R Combo  
 SP001041 Reventon Pro V1.1 ESC Comp V3.0-21.5R Combo  
 SP001143 Reventon Pro V1.1 ESC MMM 4.5R Combo  
 SP001144 Reventon Pro V1.1 ESC MMM 5.0R Combo  
 SP001145 Reventon Pro V1.1 ESC MMM 5.5R Combo  
 SP001146 Reventon Pro V1.1 ESC MMM 10.5R Combo  
 SP001147 Reventon Pro V1.1 ESC MMM 13.5R Combo  
 SP001148 Reventon Pro V1.1 ESC MMM 17.5R Combo  
 SP001149 Reventon Pro V1.1 ESC MMM 21.5R Combo

**BRUSHLESS MOTORS**

NR90562 Cobra 2 Brushless Motor - 8.5T  
 NR90563 Cobra 2 Brushless Motor - 10.5T  
 NR90703 PURE Evolution BL - 4.0t Octa Wind  
 NR91831 PURE Evo Stock 10.5T  
 NR91834 Nosram Pure 2 BL - Spec Racing Motor - 10.5T  
 NR91844 Nosram Pure 2 BL Spec Racing Motor - 13.5T  
 NR91854 Nosram Pure 2 BL Spec Racing Motor - 17.5T  
 SP000035 1/10 Competition MMM Series 3.5R BL Motor  
 SP000036 1/10 Competition MMM Series 4.5R BL Motor  
 SP000037 1/10 Competition MMM Series 10.5R BL Motor  
 SP000038 1/10 Competition MMM Series 13.5R BL Motor  
 SP000039 1/10 Competition MMM Series 17.5R BL Motor  
 SP000040 1/10 Competition MMM Series 21.5R BL Motor  
 SP138105V3 Speed Passion V3.0 Comp BL Motor; 10.5T  
 SP138135V3 Speed Passion V3.0 Comp BL Motor; 13.5T  
 SP138175V3 Speed Passion V3.0 Comp BL Motor; 17.5T  
 SP13835V3 Speed Passion V3.0 Comp BL Motor; 3.5T  
 SP13840V3 Speed Passion V3.0 Comp BL Motor; 4.0T  
 SP13845V3 Speed Passion V3.0 Comp BL Motor; 4.5T  
 SP13850V3 Speed Passion V3.0 Comp BL Motor; 5.0T  
 SP13855V3 Speed Passion V3.0 Comp BL Motor; 5.5T  
 SP13865V3 Speed Passion V3.0 Comp BL Motor; 6.5T  
 SP13875V3 Speed Passion V3.0 Comp BL Motor; 7.5T  
 SP13885V3 Speed Passion V3.0 Comp BL Motor; 8.5T  
 TPM-540A065 Thunder Power 6.5T Modified 540 BL Motor  
 TPM-540A075 Thunder Power 7.5T Modified 540 BL Motor  
 TPM-540A085 Thunder Power 8.5T Modified 540 BL Motor  
 TPM-540A095 Thunder Power 9.5T Modified 540 BL Motor  
 TPM-540A105 Thunder Power 10.5T Stock Spec 540 BL Motor  
 TPM-540A135 Thunder Power 13.5T Stock Spec 540 BL Motor  
 TPM-540A175 Thunder Power 17.5T Stock Spec 540 BL Motor  
 TPM-540A215 Thunder Power 21.5T Stock Spec 540 BL Motor

**BRUSHLESS SPEED CONTROLLERS**

CR173 PACE 45R Brushless ESC 1s/2s  
 CR174 PACE 45R Programming Card  
 HW30112060030 XERUN - V3.1 Sport Spec-Red BL ESC 100A Blinky  
 HW30112101001 XERUN - V3.1 Stock Spec-Black BL ESC 100A  
 HW30112121072 XERUN - V3.1 - Waterproof ESC 120A

**BRUSHLESS SPEED CONTROLLERS CONT....**

HW81010130 EZRUN-35A-SL - BL ESC - for 1/10 Car & Truck  
 HW81010190 EZRUN-60A-SL - BL ESC - for 1/10 Car & Truck  
 HW81010380 EZRUN-WP-60A-SL - BL ESC - for 1/10 waterproof  
 HW81010390 EZRUN-WP-80A-SL - BL ESC - for 1/10 waterproof  
 HW81010400 EZRUN-WP-SC8 -120A BL ESC - 1/10 1/8 waterproof  
 HW81020000 JUSTOCK - Club Spec BL ESC - Blue - 45A  
 HW81020010 XTREME Stock BL ESC - Blue - 60A  
 HW81020011 XTREME Stock BL ESC - Black - 60A  
 HW81020170 XERUN - V2.1 - BL ESC-120A - Blue  
 HW81020340 XERUN - V3.1 BL-ESC - Blue 120A  
 HW81020350 XERUN - V3.1 BL-ESC - Black 120A  
 HW81020360 XERUN - V3.1 BL-ESC - Red 120A  
 HW81020380 XERUN - V2.1 - BL-ESC-90A-Blue  
 NR90410Nosram Single BL Speed Control  
 NR90450Evil Brushless Power Reverse  
 NR90960Comet EVO Brushless Speed Control  
 NR90970Comet HD Brushless Speed Control  
 NR90999Pearl Upgrade Kit -Mod + Stock  
 SP000010 Reventon-S ESC - 2S - Blue  
 SP000043 Reventon-R ESC - 2S - Orange  
 SP000048 Reventon Stock Club Race ESC Black  
 SP000060 Reventon-S ESC - 2S - Orange  
 SP000061 Reventon-S ESC - 2S - Black  
 SP000062 Reventon-S ESC - 2S - Silver  
 SP000063 Reventon-R ESC - 2S - Blue  
 SP000064 Reventon-R ESC - 2S - Silver  
 SP000739 Reventon Pro ESC-2S - V1.1 Black  
 SP000740 Reventon Pro ESC-2S - V1.1 - Laser Blue  
 SPEXT9880 2LPS Speed Passion LPF V2.0 ESC - Silver

**CHARGERS AND DISCHARGERS**

CR031 UDC Charger Connector Set - 8pcs  
 CR114 UDC Balance Adaptor Set JST-XH to JST-EH 2-6S  
 CR149 Power Cable UAC40-50; USA-Cloverleaf  
 CR150 Power Cable UAC40-50; Europe - Cloverleaf  
 CR161 UAC50 Charger 12v/110-240v 6A  
 CR176 T Connector Female to EC3 Male Lead  
 G834 Charger 240v UK; 7.2/Tx/Croc 1.2-12v  
 NR91555 Stealth Touch Evolution Charger  
 NR93160Nosram Power Supply 13.8V / 20A  
 NR95815Nosram Universal Charging Lead-Tamiya/JST Plug  
 NR95816Nosram Universal Chg Lead-2S Lipo H/Case/Bal  
 NR95817Nosram Universal Chg Lead- US-Style Plug  
 SK-100078-01 Racing Star RS16 - 180W 16A DC Charger  
 SK-200017-01 Racing Star 17A Power Supply (UK Plug)  
 TP1201P100-240V AC - 12V DC, 1.0A Switching Adaptor TP103  
 TP1205P100-240V AC-12V DC, 5.0A Switching Adaptor  
 TP14SAB-TPJXH Balance Conn Adaptor 2S-14S JST-XH - TP1430C  
 TP205V Thunder Power 2-5 Cell Lipo Smart Balancer  
 TP610C Thunder Power 10 Amp DC Balance Charger  
 TP610C-ACDC Thunder Power 10 Amp AC/DC Balance Charger  
 TP610C-BL2 Balance Conn Adaptor 2S/6S JST-XH 610C-ADC  
 TP820CD Dual Port 20A DC charger/Cycler  
 TP8SAB-TPJXH Balance Conn Adaptor Board 2S-8S JST-XH 820CD  
 TPDLC-250A Thunder Power Balancer to Charger Data Link CableAdpt

**GENERAL ACCESSORIES**

C4450 CS Superglue 20g  
 CR522 CORE RC - 522 Pro Tyre Glue  
 MR-CSONROAD MR33 Car Stand On Road  
 MR-FOAM MR33 Foam for Bumper 200 x 20mm (4pcs)  
 MR-SUPER GLUE Perfect Super Glue for Rubber Tyres

**ELECTRONICS**

CR151 CODE 2.4G FHSS LCD 2 Stick TxRx  
 CR152 CODE 2.4G FHSS LCD - Rx Only  
 CR153 CODE 2.4G FHSS Sport 2 Stick TxRx  
 CR154 CODE 2.4G FHSS Sport - Rx Only  
 CR155 Antenna 2.4G  
 CR162 CORE RC Sensor Checking Widget

**ELECTRONICS CONT....**

CR195 Portable Emergency 60W Soldering Iron  
 ED199502 EDS Ultra Bright L.E.D. Light Stand  
 IPLFP455085-3S Intellect - TX LiFe 1600mAh 1C 3S (Futaba)  
 IPLFP652424-2S Intellect - RX LiFe 200mAh 1C 2S No Balancer  
 IPLFP752880-2S Intellect - RX LiFe 1550mAh 1C 2S-SQ Flat  
 IPLFP753048-2S2P Intellect - RX LiFe 1800mAh 1C 2S-SQ Hump  
 IPLFP804272-2S Intellect - TX LiFe 2100mAh 1C 2S (4pk)  
 IPLFP882890-3S Intellect - TX LiFe 2300mAh 1C 3S (KO)  
 MR33-GOLD2 4mm Gold Connectors pk 4

**TEAM MERCHANDISE**

ED199206 EDS Pit Towel 110 x 70cm  
 G310 Schumacher Rubber Pit Mat - 750mm x 500mm  
 G338 2 Tone Beanie Knitted Hat  
 G339L Jacket - 3 Layer Softshell; Black - L 44inch  
 G339M Jacket - 3 Layer Softshell; Black - M 41inch  
 G339S Jacket - 3 Layer Softshell; Black - S - 38inch  
 G339S Jacket - 3 Layer Softshell; Black - S - 38inch  
 G339XL Jacket - 3 Layer Softshell; Black - XL 46inch  
 G339XS Jacket - 3 Layer Softshell; Black - XS - 34inch  
 G339XXL Jacket - 3 Layer Softshell; Black - XXL 48inch  
 G339XXXL Jacket - 3 Layer Softshell; Black - XXXL 50inch  
 G340 Schumacher Baseball Cap - Black  
 G341 Schumacher Flat bill Cap - Black  
 G342L T - Navy - Large 100% cotton knit mens  
 G342M T - Navy - Medium 100% cotton knit mens  
 G342S T - Navy - Small 100% cotton knit mens  
 G342XL T - Navy - X-Large 100% cotton knit mens  
 G342XXL T - Navy - XX-Large 100% cotton knit mens  
 G342XXXL T - Navy - XXX-Large 100% cotton knit mens  
 G342XXXXL T - Navy - XXXX-Large 100% cotton knit mens  
 G342XXXXXL T - Navy - XXXXX-Large 100% cotton knit mens  
 G343L Sweat-Navy-Large 80% cotton,20% polyester knit men  
 G343M Sweat-Navy-Med, 80% cotton,20% polyester knit men  
 G343S Sweat-Navy-Small,80% cotton,20% polyester knit men  
 G343XL Sweat-Navy-XL, 80% cotton,20% polyester knit men  
 G344L Polo - Navy - Large, 100% cotton knit mens  
 G344M Polo - Navy - Med, 100% cotton knit mens  
 G344S Polo - Navy - Small, 100% cotton knit mens  
 G344XL Polo - Navy - X-Large, 100% cotton knit mens  
 G344XXL Polo - Navy - XX-Large, 100% cotton knit mens  
 G344XXXL Polo - Navy - XXX-Large, 100% cotton knit mens  
 G344XXXXL Polo - Navy - XXXX-Large, 100% cotton knit mens  
 G344XXXXXL Polo - Navy - XXXXX-Large, 100% cotton knit mens  
 G351 Schumacher Thermo Mug  
 G352 Schumacher Umbrella  
 NR96398 Nosram Pit Towel 2



U2252 - Alloy Gear Adaptor-Schum and Kimbro



Compatible Gears  
 U324 95T Gear - 48 DP  
 U325 92T Gear - 48 DP  
 U326 89T Gear - 48 DP  
 U327 86T Gear - 48 DP

# CARBON FIBRE

U2443  
 C/F Front Shock Mount - Mi-One  
 U2441  
 C/F Top Deck - Mi1  
 U2488  
 C/F Extra Stiff Top Deck - Mi1  
 U3805  
 C/F Rear Shock Mount - Mi-One  
 U4516  
 C/F Chassis - Mi-One V2

U2460  
 20T Alloy Pulley



M3 Nyloc Nuts  
 U2187 Purple Alloy (pk8)  
 U4241 Black Alloy (pk10)



U2163 - Alloy Hub Carriers; pin axle - Fusion (pr)



U1572 - Titanium Turnbuckle; purple - 39mm (pr)  
 U2053 - Titanium Turnbuckle; purple - 25mm (pr)

Alloy Servo Arms  
 CR110 - Futaba Purple  
 CR111 - KO/Sanwa Purple  
 CR112 - Futaba Blue  
 CR113 - KO/Sanwa Blue  
 CR117 - Futaba Black  
 CR118 - KO/Sanwa Black



U2462 - Alloy Diff Mount - Mi1



U1576 - Titanium Pivot Pin Purple 25mm (pr)  
 U1577 - Titanium Pivot Pin Purple 29mm (pr)  
 U2464 - Titanium Pivot Pin Purple 57mm (pr)  
 U2465 - Titanium Pivot Pin Purple 45mm (pr)



U1894 - 83T Whisper Gear - 48 D.P.  
 U230 - 92T Whisper Gear - 48 D.P.  
 U231 - 89T Whisper Gear - 48 D.P.

U1300  
 Axle Grease  
 The best general grease  
 for many applications.



CORE RC  
 Serrated M4 Nuts  
 CR024 - Steel pk4  
 CR035 - Alloy Blue pk4  
 CR036 - Alloy Violet pk4  
 CR196 - Alloy Black pk4



U2856 - Sticky Cable Clips (Pk 10)

U3265 - Steel CV Drive Shafts - (pr)



For use with  
 U3808 AND U3811  
**DO NOT** use with  
 kit differentials.



U2463 - Alloy Layshaft Mounts - (pr)

**MUST** be used with U3265



U3811 - HD Front One Way Assembly - Mi1  
 U2845 - Output; HD One Way - 1pc



U1957  
 Moly Grease  
 U1301  
 Silicone Diff Lube

**MUST** be used with U3265



U3808 - Spool; Complete Assembly - Mi1  
 U3809 - Spool Axle - Mi1



U3254 - CNC Overdrive Pulley; Fits One Way - 35T  
 U3253 - CNC Overdrive Pulley; Fits Spool - 35T

Pro Ball Stud  
 U4274 Short - pk4  
 U4275 Long - pk4



Ti Pro Ball Studs  
 CR280 - Short - pair  
 CR282 - Long - pair